

Submittal Data (for 90° Eyelet)



For the suspension of HVAC, Mechanical, Lighting & Electrical services in an indoor stationary setting.
Not suitable for use in chlorinated swimming pool environments.

APPLICATION

For shot firing into concrete or steel. Can be used with mechanical anchors.
Holes sized for 1/4" or 3/8" fasteners.

LOAD RATING

All products have a 5:1 safety factor

MATERIAL SPECIFICATION

Gripple Fastener	Housing	Type ZA2 Zinc
	Wedge	Sintered steel hardened to min. 56 Rockwell C
	Spring	Stainless Steel (Type 302)
	End Cap	UV stabilized homopolymer polypropylene

Cable	Galvanized high tensile steel cable to EN12385. Standard lengths from 5ft-30ft, other lengths can be made to order.
-------	--

	No. 1	No. 2	No. 3
Cable Diameter (in.)	1/16	5/64	1/8
Strand Configuration	7x7	7x7	7x7
Min. breaking load (lbs)	125	500	1,000
Max. safe working load (lbs)	25	100	200
Tensile strength (lbs/sq. in.)	256,7000	256,700	256,700

90° Eyelet	Zinc plated steel
------------	-------------------

90° EYELET

Cable with crimped 90° eyelet end fixing



Gripple Fastener

Sizes:

1/4" - No. 1 - No. 3

3/8" - No. 2 - No. 3

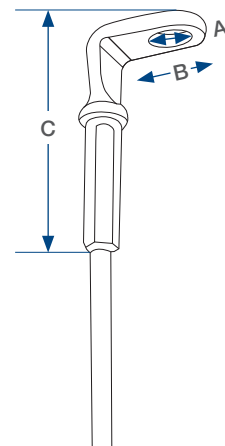
Max. Safe Working Loads:

No. 1 25 lbs

No. 2 100 lbs

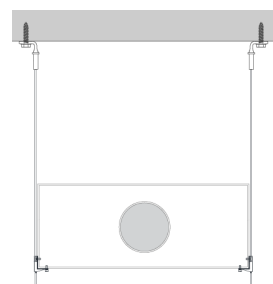
No. 3 200 lbs

SIZE SPECS

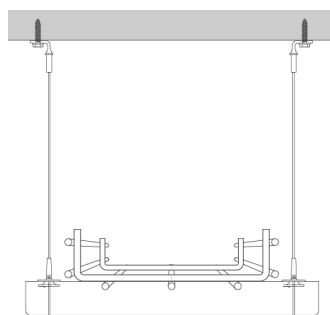


Size	A (in.) Fastener Size Ø	B (in.)	C (in.)
No. 1	1/4"	1"	1 1/2"
No. 2	1/4"	1"	1 1/2"
No. 2	3/8"	1 3/4"	1 5/6"
No. 3	1/4"	1"	1 1/2"
No. 3	3/8"	1 3/4"	1 5/6"

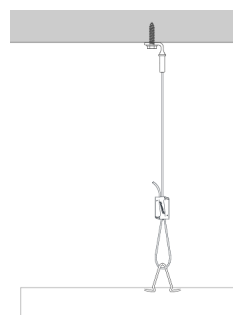
APPLICATION EXAMPLES



Air Handling Unit
With Duct Trapeze



Cable Basket
On strut with Trapeze Hangers



Light Fixture
With LSK Clip