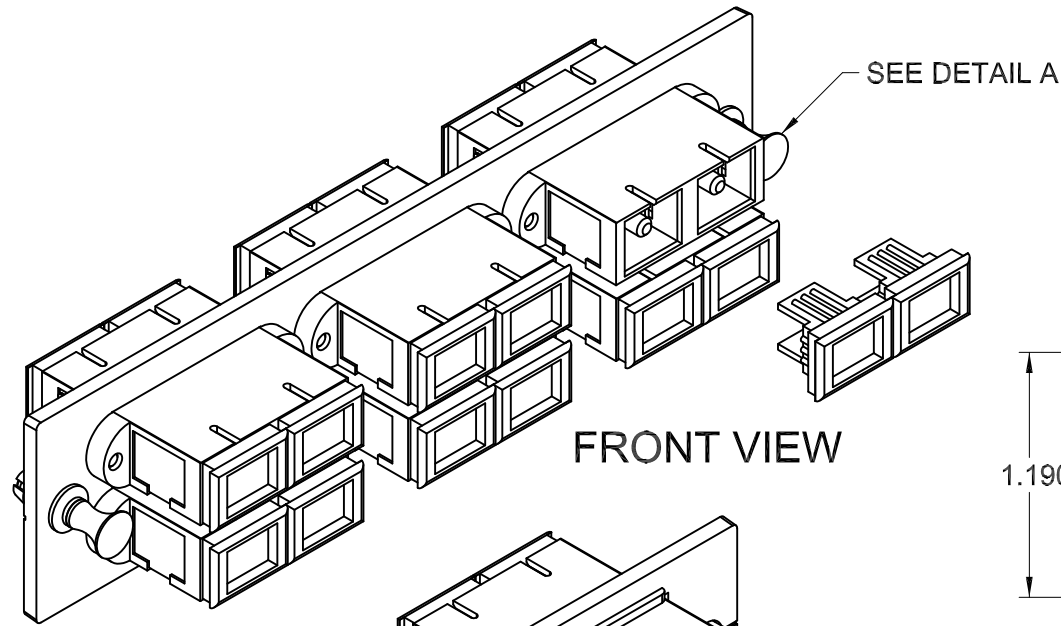
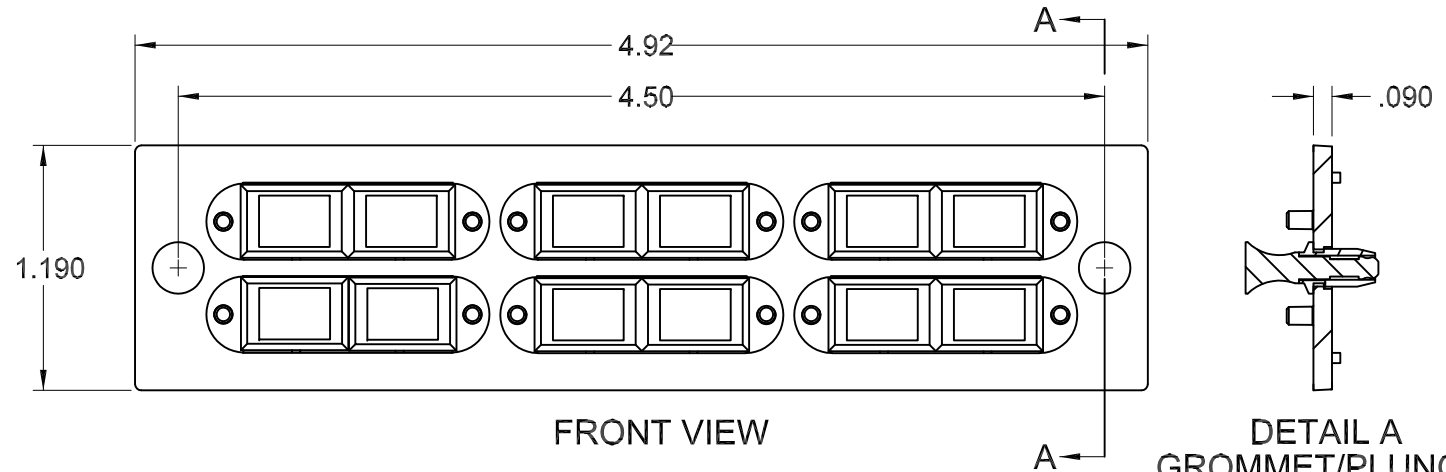


REVISION HISTORY							
REV/SHT	DESCRIPTION			DATE	ECN	CHECKED	
A	ALL	RELEASE NEW			2/12/04	NEW	RBS
B	-	CHGD: PLATE FROM ALUMINUM TO GLASS FILLED PLASTIC			5/22/06	-	DAH
G	-	ADDED: OTHER 12 PORT DUAL SC APADTER OPTIONS			1/26/12	-	RBS

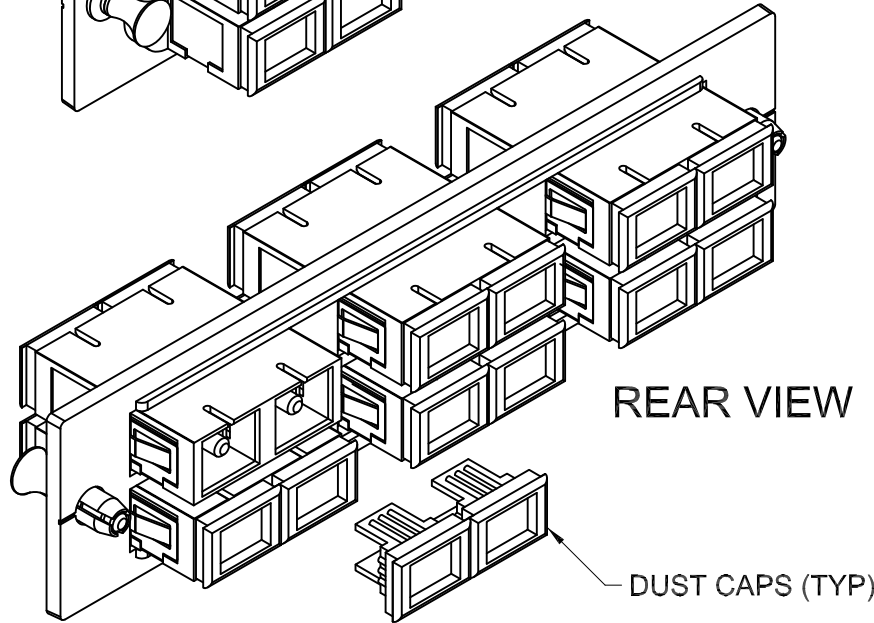


FRONT VIEW



FRONT VIEW

DETAIL A  
GROMMET/PLUNGER  
ORIENTATION



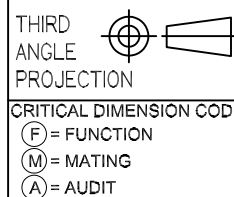
REAR VIEW

DUST CAPS (TYP)

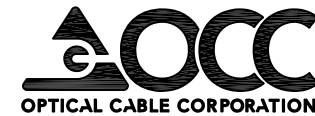
6112MMDSMSC	ADAPTER PLATE ASSY, DUAL SC X 6, 3-MM/3-SM, 12 PORT, OCC
6112DSC50G	ADAPTER PLATE ASSY, DUAL SC X 6, 50µm 10G, 12 PORT, OCC
6112SMDSC	ADAPTER PLATE ASSY, DUAL SC X 6, SM, 12 PORT, OCC
6112MMDSC	ADAPTER PLATE ASSY, DUAL SC X 6, MM, 12 PORT, OCC
6112SC	ADAPTER PLATE ASSY, DUAL SC X 6, SM/MM, 12 PORT, OCC
6112DSCAPC	ADAPTER PLATE ASSY, DUAL SCAPC X 6, SM, 12 PORT, OCC
6112SMDSCAPC	ADAPTER PLATE ASSY, DUAL SCAPC X 6, SM, 12 PORT, OCC
OCC PART NO.	DESCRIPTION

NOTES: UNLESS OTHERWISE SPECIFIED.

- EACH FIBER ADAPTER KIT IS SUPPLIED WITH COMPONENTS SHOWN.
- ADAPTER SPECIFICATIONS (MULTIMODE) 50µm, 50µm 10 GIG, 62.5µm  
INSERTION LOSS (AVERAGE): PHOSPHOR BRONZE SLEEVE: ≤0.3 dB MAX.  
SLEEVE/FERRULE WITHDRAWAL FORCE: 2.0N ~ 5.9N (200gf ~ 600gf)
- ADAPTER SPECIFICATIONS (SINGLEMODE)  
INSERTION LOSS (AVERAGE): ZIRCONIA CERAMIC SLEEVE: ≤0.2 dB MAX.  
SLEEVE/FERRULE WITHDRAWAL FORCE: 2.0N ~ 5.9N (200gf ~ 600gf)



UNCONTROLLED COPY			
UNLESS OTHERWISE SPECIFIED DIMENSIONS ARE IN INCHES. TOLERANCES: FRACTIONS ±1/32" ANGLES ±1/2° 3 PLACE DECIMALS ±.005" 2 PLACE DECIMALS ±.01"		THIS DRAWING AND THE DESIGN SHOWN ARE THE PROPERTY OF OPTICAL CABLE CORPORATION AND MAY NOT BE USED AS THE BASIS FOR MANUFACTURE OR SALE WITHOUT SPECIFIC WRITTEN PERMISSION OF OPTICAL CABLE CORPORATION.	
DRAWN	D.A.HOLBERT	DATE	2/12/04
CHECKED	R.B.SMITH	DATE	3/4/04
ENGINEER	J.YANIK	DATE	2/12/04
APPROVED	R.B.SMITH	DATE	1/26/12
PREVIOUS DWG			
NEXT DWG		FILENAME	C:106587G.DFT
MATERIAL	SEE BILL OF MATERIAL		
FINISH	SEE BILL OF MATERIAL		



5290 Concourse Drive  
Roanoke, VA 24019  
Phone: 800-622-7711  
Fax: 540-265-0724  
www.occfiber.com

DWG TITLE				CUSTOMER DRAWING, ADAPTER PLATE ASSY, DUAL SCX6, SM/MM, 12 PORT, OCC		
SIZE	DWG NO.	C106587		REV	G	
B		SCALE:	NONE	SHEET	1 OF 1	