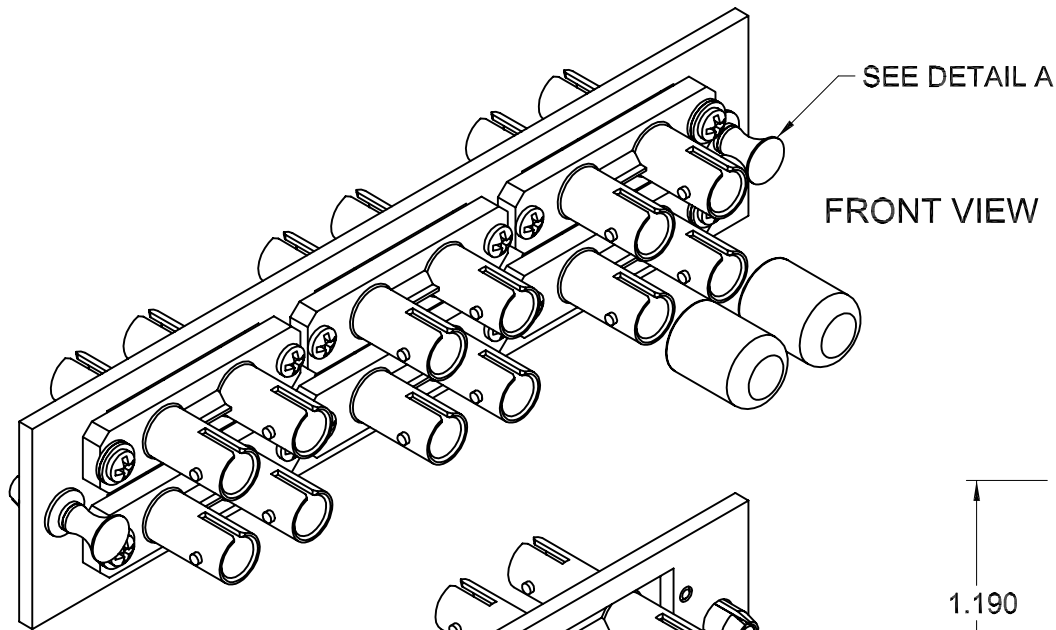
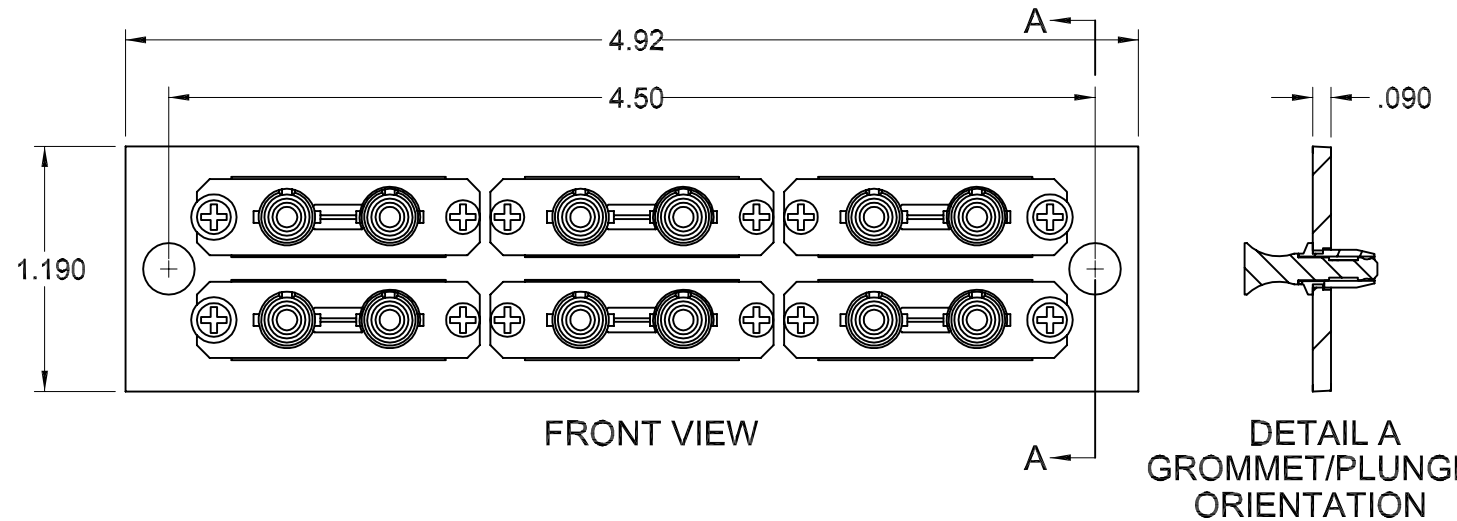


REVISION HISTORY					
REV	SHT	DESCRIPTION	DATE	ECN	CHECKED
A	ALL	RELEASE NEW	5/16/03	NEW	RBS
B	-	CORRECTED: DRAWING VIEWS AND PART NUMBER DESCRIPTION	9/24/04	-	DAH
C	-	REVERSED: LC ADAPTERS 180 DEG TO ACCOMODATE ASSEMBLY	4/22/05	-	DAH
D	-	UPDATED: ISOMETRIC VIEWS; ADDED: ORTHO VIEWS	5/22/06	-	DAH

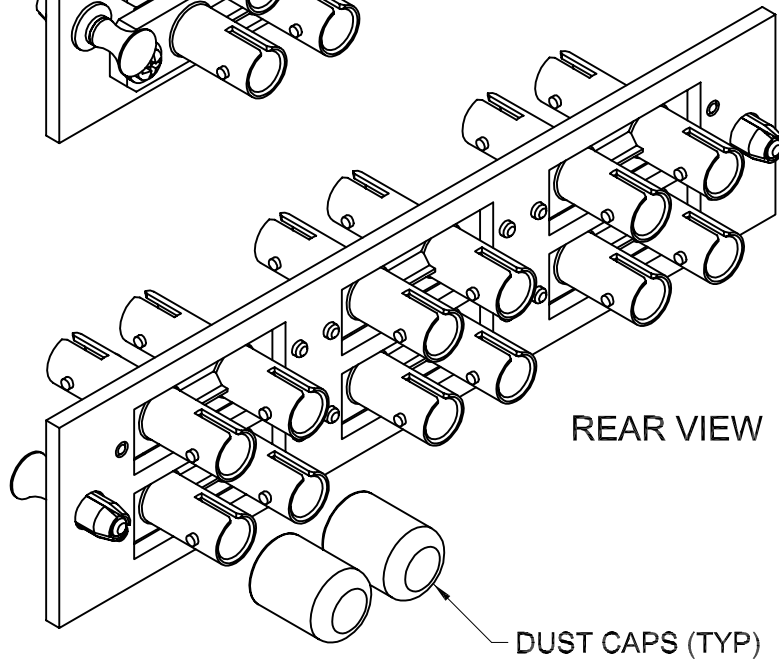


FRONT VIEW



FRONT VIEW

DETAIL A
GROMMET/PLUNGER
ORIENTATION



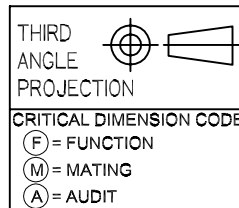
REAR VIEW

DUST CAPS (TYP)

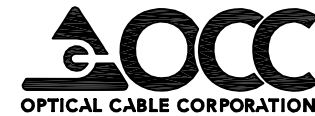
6112DSTM	ADAPTER PLATE ASSY, DUAL STX6 METAL, SM/MM, 12 PORT
6112MMDST	ADAPTER PLATE ASSY, DUAL STX6, MM, 12 PORT, OCC
6112SMDST	ADAPTER PLATE ASSY, DUAL STX6, SM, 12 PORT, OCC
6112DST	ADAPTER PLATE ASSY, DUAL STX6, SM/MM, 12 PORT, OCC
OCC PART NO.	DESCRIPTION

NOTES: UNLESS OTHERWISE SPECIFIED.

- EACH FIBER ADAPTER KIT IS SUPPLIED WITH COMPONENTS SHOWN.
- ADAPTER SPECIFICATIONS (MULTIMODE) 50µm, 50µm 10 GIG, 62.5µm
INSERTION LOSS (AVERAGE): PHOSPHOR BRONZE SLEEVE: ≤0.3 dB MAX.
SLEEVE/FERRULE WITHDRAWAL FORCE: 2.0N ~ 5.9N (200gf ~ 600gf)
- ADAPTER SPECIFICATIONS (SINGLEMODE)
INSERTION LOSS (AVERAGE): ZIRCONIA CERAMIC SLEEVE: ≤0.2 dB MAX.
SLEEVE/FERRULE WITHDRAWAL FORCE: 2.0N ~ 5.9N (200gf ~ 600gf)



UNCONTROLLED COPY			
UNLESS OTHERWISE SPECIFIED DIMENSIONS ARE IN INCHES. TOLERANCES: FRACTIONS ±1/32" ANGLES ±1/2° 3 PLACE DECIMALS ±.005" 2 PLACE DECIMALS ±.01"		THIS DRAWING AND THE DESIGN SHOWN ARE THE PROPERTY OF OPTICAL CABLE CORPORATION AND MAY NOT BE USED AS THE BASIS FOR MANUFACTURE OR SALE WITHOUT SPECIFIC WRITTEN PERMISSION OF OPTICAL CABLE CORPORATION.	
MATERIAL SEE BILL OF MATERIAL	FINISH SEE NOTES	DRAWN D.A.HOLBERT	DATE 5/16/03
		CHECKED R.B.SMITH	DATE 5/19/03
		ENGINEER J.YANIK	DATE 5/16/03
		APPROVED R.B.SMITH	DATE 5/22/06
		PREVIOUS DWG	
		NEXT DWG	



5290 Concourse Drive
Roanoke, VA 24019
Phone: 800-622-7711
Fax: 540-265-0724
www.occfiber.com

DWG TITLE CUSTOMER DRAWING, ADAPTER PLATE ASSY, OCC, DUAL STX6, SM/MM, 12 PORT			
SIZE B	DWG NO. C106074	REV D	
SCALE: NONE	SHEET 1 OF 1		
FILENAME C106074D.DFT			