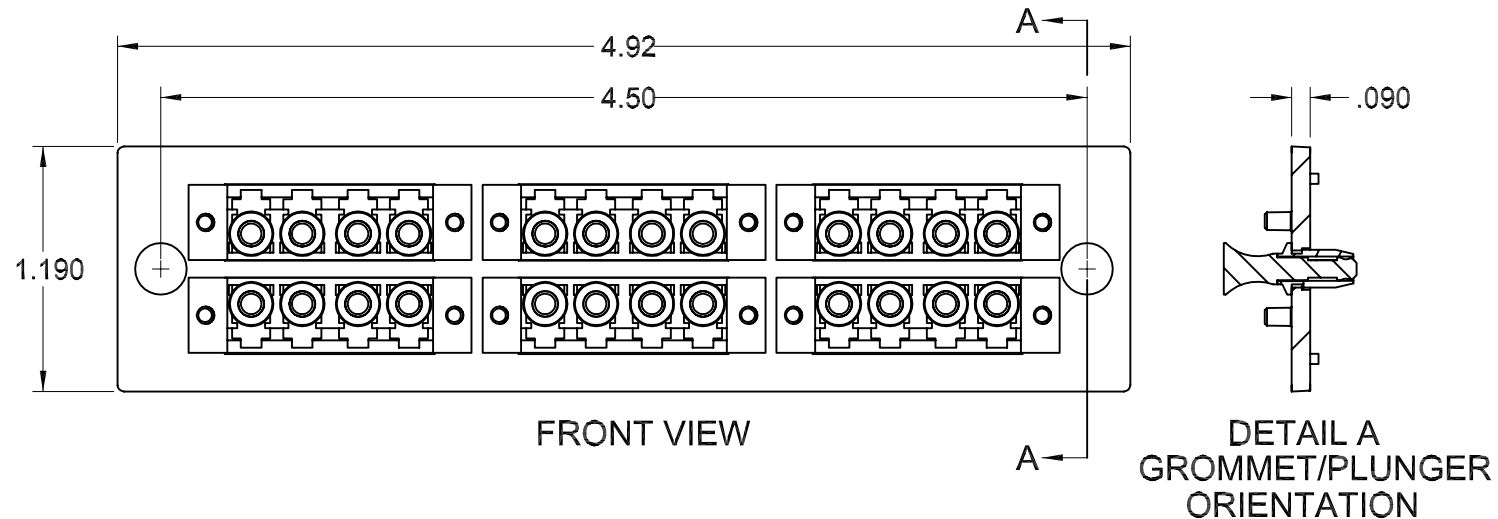
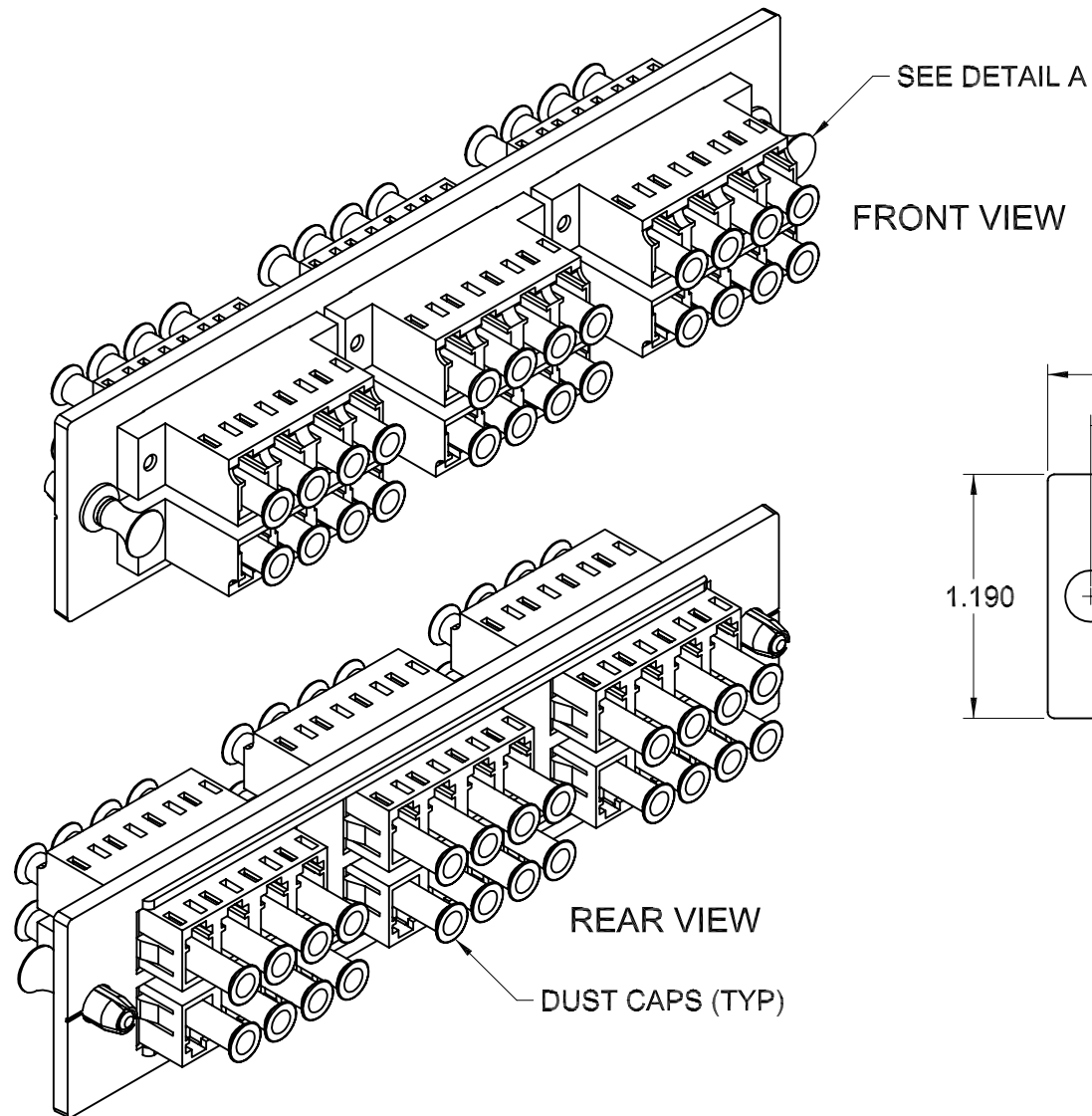


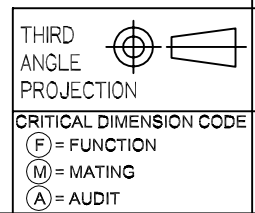
REVISION HISTORY					
REV	SHT	DESCRIPTION	DATE	ECN	CHECKED
A	ALL	RELEASE NEW	12/4/03	NEW	RBS
B	-	CHGD: PLATE FROM ALUMINUM TO GLASS FILLED PLASTIC	5/22/06	-	DAH



6124MMQLC	ADAPTER PLATE ASSY, QUAD LCX6, 12 PORT, MM, OCC
6124SMQLC	ADAPTER PLATE ASSY, QUAD LCX6, 12 PORT, SM, OCC
OCC PART NO.	DESCRIPTION

NOTES: UNLESS OTHERWISE SPECIFIED.

- EACH FIBER ADAPTER KIT IS SUPPLIED WITH COMPONENTS SHOWN.
- ADAPTER SPECIFICATIONS (MULTIMODE) 50µm, 50µm 10 GIG, 62.5µm  
INSERTION LOSS (AVERAGE): PHOSPHOR BRONZE SLEEVE: ≤0.3 dB MAX.  
SLEEVE/FERRULE WITHDRAWAL FORCE: 2.0N ~ 5.9N (200gf ~ 600gf)
- ADAPTER SPECIFICATIONS (SINGLEMODE)  
INSERTION LOSS (AVERAGE): ZIRCONIA CERAMIC SLEEVE: ≤0.2 dB MAX.  
SLEEVE/FERRULE WITHDRAWAL FORCE: 2.0N ~ 5.9N (200gf ~ 600gf)



UNCONTROLLED COPY	
UNLESS OTHERWISE SPECIFIED DIMENSIONS ARE IN INCHES. TOLERANCES: FRACTIONS ±1/32" ANGLES ±1/2° 3 PLACE DECIMALS ±.005" 2 PLACE DECIMALS ±.01"	THIS DRAWING AND THE DESIGN SHOWN ARE THE PROPERTY OF OPTICAL CABLE CORPORATION AND MAY NOT BE USED AS THE BASIS FOR MANUFACTURE OR SALE WITHOUT SPECIFIC WRITTEN PERMISSION OF OPTICAL CABLE CORPORATION.
MATERIAL SEE BILL OF MATERIAL	FINISH SEE BILL OF MATERIAL

5290 Concourse Drive  
Roanoke, VA 24019  
Phone: 800-622-7711  
Fax: 540-265-0724  
www.occfiber.com

DWG TITLE		CUSTOMER DRAWING, ADAPTER PLATE ASSY, OCC, QUAD LCX12, 24 PORT, SM/MM	
SIZE	DWG NO.	REV	
B	C106465	B	
SCALE:	NONE	SHEET	1 OF 1
FILENAME	C106465B.DFT		