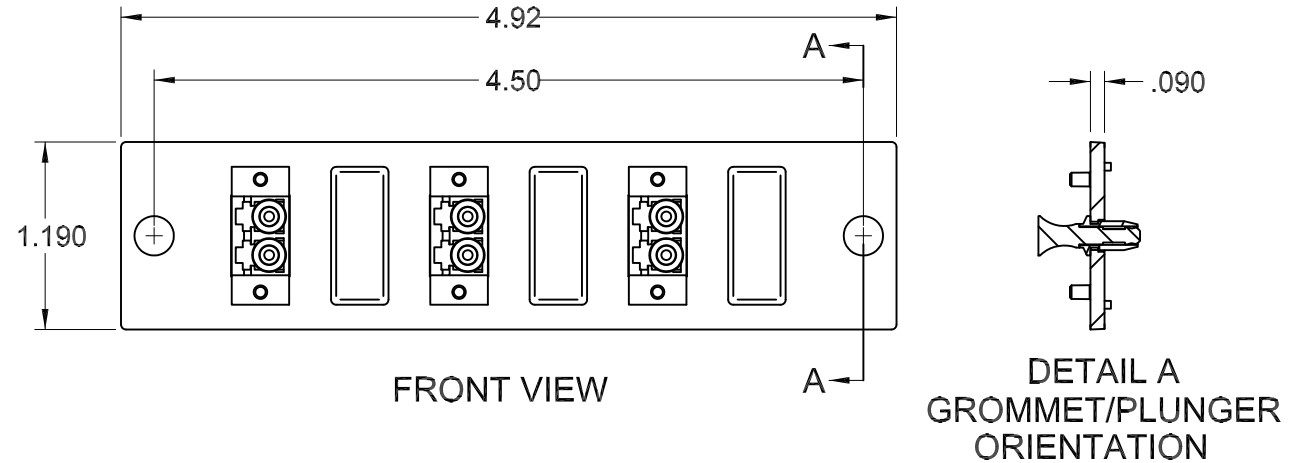
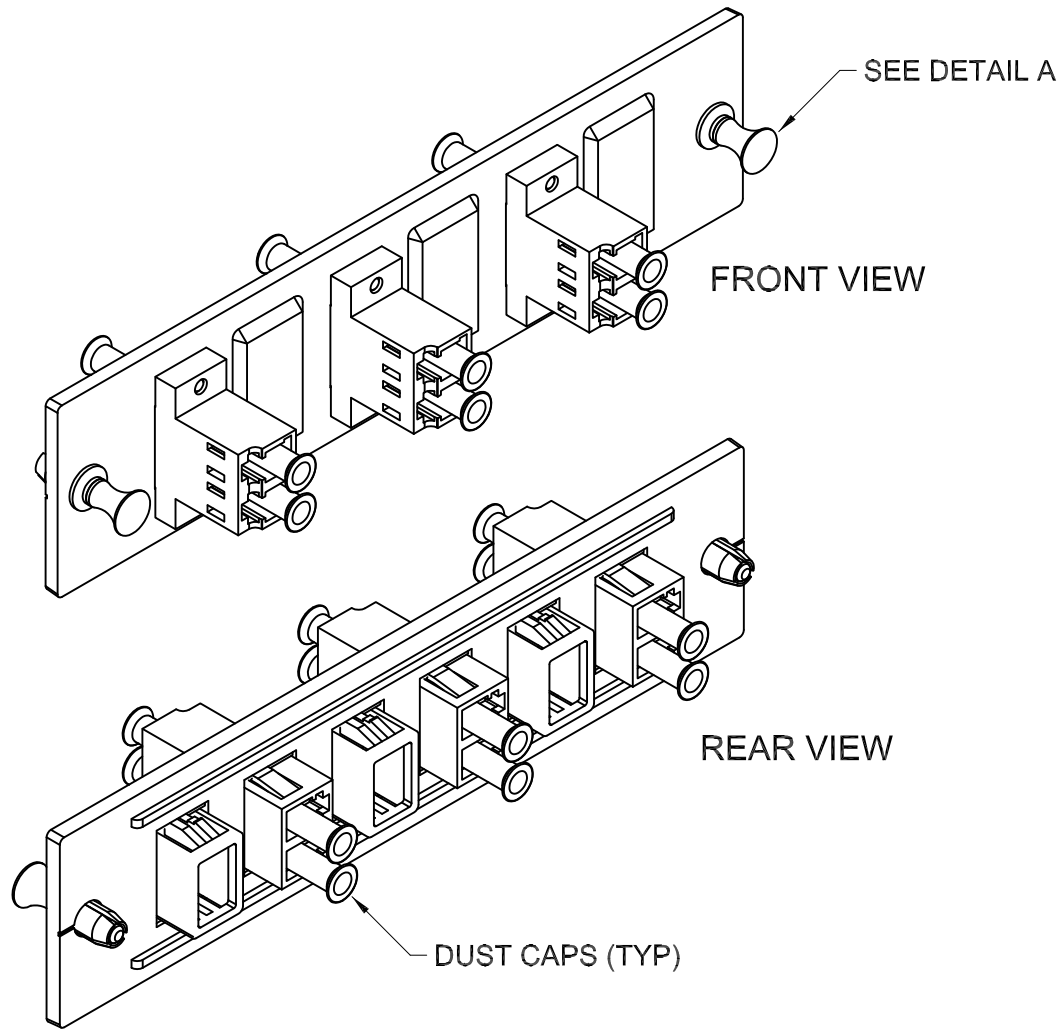


REVISION HISTORY					
REV	SHT	DESCRIPTION	DATE	ECN	CHECKED
A	ALL	RELEASE NEW	6/2/06	NEW	RBS
G	-	ADDED: MORE 6 PORT DUAL LC ADAPTER OPTIONS	1/26/12	-	RBS

"OPTICAL CABLE CORPORATION (OCC) RESERVES THE RIGHT TO REVISE ANY ADAPTER PLATE SPECIFICATIONS."

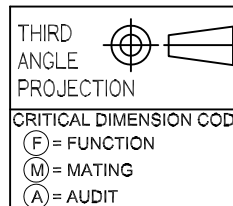


NOTES: UNLESS OTHERWISE SPECIFIED.

1. EACH FIBER ADAPTER KIT IS SUPPLIED WITH COMPONENTS SHOWN.
2. ADAPTER SPECIFICATIONS (MULTIMODE) 50 μ m, 50 μ m 10 GIG, 62.5 μ m
INSERTION LOSS (AVERAGE): PHOSPHOR BRONZE SLEEVE: \leq 0.3 dB MAX.
SLEEVE/FERRULE WITHDRAWAL FORCE: 2.0N ~ 5.9N (200gf ~ 600gf)
3. ADAPTER SPECIFICATIONS (SINGLEMODE)
INSERTION LOSS (AVERAGE): ZIRCONIA CERAMIC SLEEVE: \leq 0.2 dB MAX.
SLEEVE/FERRULE WITHDRAWAL FORCE: 2.0N ~ 5.9N (200gf ~ 600gf)

616SMDLCAPC	ADAPTER PLATE ASSY, DLCAPCX3, SM, 6 PORT, OCC
616SMDLC	ADAPTER PLATE ASSY, DLCX3, SM, 6 PORT, OCC
616MMDLC	ADAPTER PLATE ASSY, DLCX3, MM, 6 PORT, OCC
616DLC50G	ADAPTER PLATE ASSY, DLCX3, 50/125 μ m 10 GIG, 6 PORT, OCC
616DLC	ADAPTER PLATE ASSY, DLCX3, SM/MM, 6 PORT, OCC
OCC PART NO.	DESCRIPTION

UNCONTROLLED COPY



UNCONTROLLED COPY		
UNLESS OTHERWISE SPECIFIED DIMENSIONS ARE IN INCHES. TOLERANCES: FRACTIONS $\pm 1/32"$ ANGLES $\pm 1/2^\circ$ 3 PLACE DECIMALS $\pm .005"$ 2 PLACE DECIMALS $\pm .01"$		
MATERIAL SEE BILL OF MATERIAL		
FINISH SEE BILL OF MATERIAL		
DRAWN	D.A.HOLBERT	DATE 6/2/06
CHECKED	R.B.SMITH	DATE 6/6/06
ENGINEER	J.YANIK	DATE 6/2/06
APPROVED	R.B.SMITH	DATE 1/26/12
PREVIOUS DWG		
NEXT DWG	FILENAME C:107708G.DFT	SCALE: NONE SHEET 1 OF 1



DWG TITLE CUSTOMER DRAWING, ADAPTER PLATE ASSY, DUAL LCX3, 6 PORT, OCC		
SIZE B	DWG NO. C107708	REV G