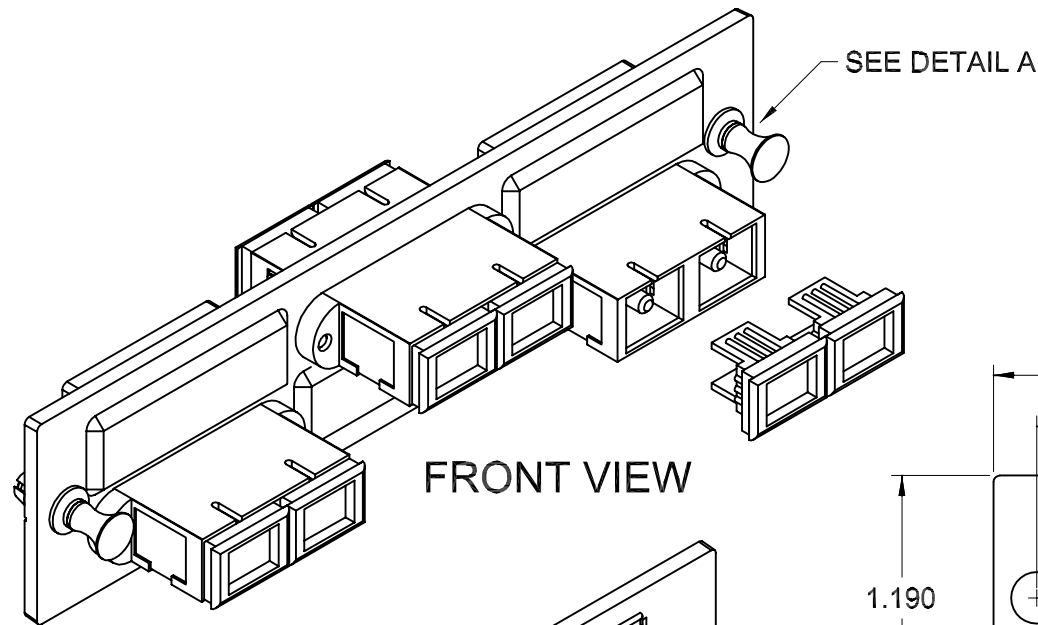
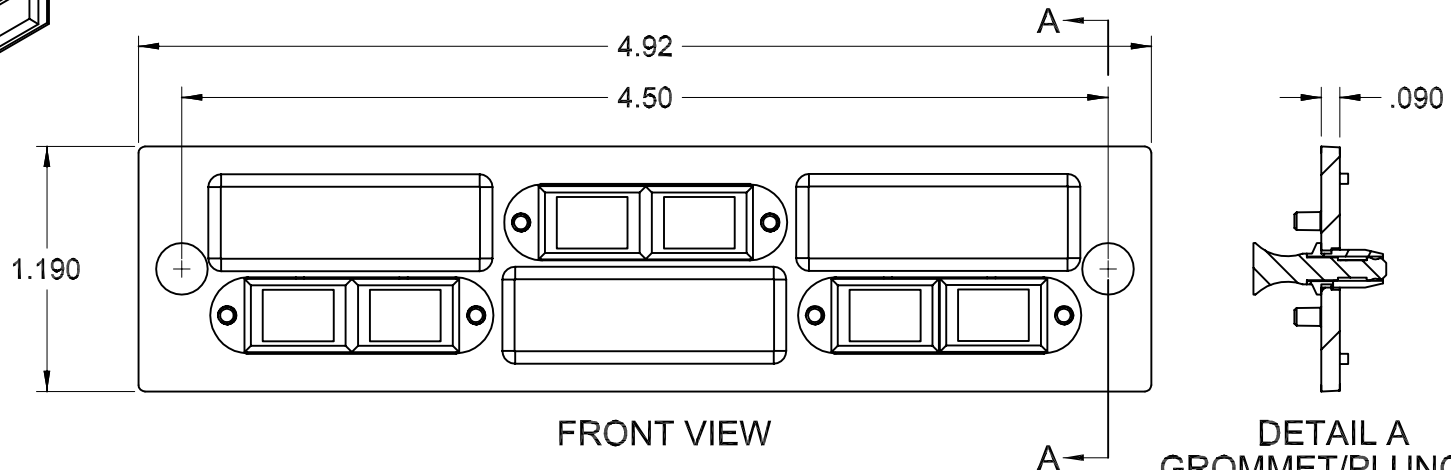


REVISION HISTORY				
REV	SHT	DESCRIPTION	DATE	CHECKED
A	ALL	RELEASE NEW	12/10/01	RBS
B	-	CHGD: PLATE FROM ALUMINUM TO GLASS FILLED PLASTIC	5/22/06	DAH

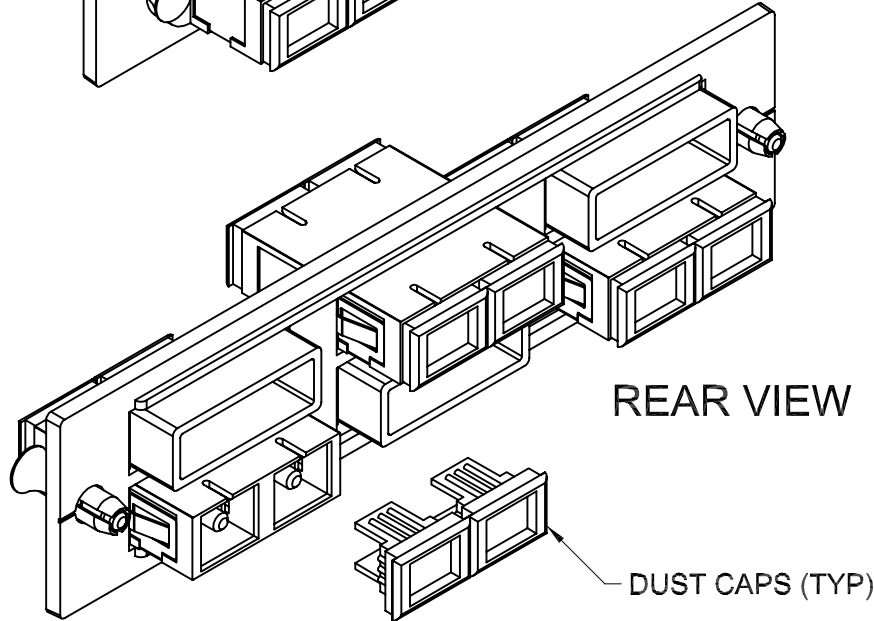


FRONT VIEW



FRONT VIEW

DETAIL A
GROMMET/PLUNGER
ORIENTATION



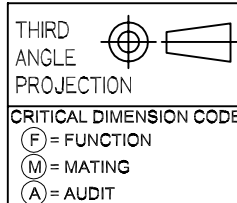
REAR VIEW

DUST CAPS (TYP)

616MMDSC	ADAPTER PLATE ASSY, DUAL SC X 3, MM, 6 PORT, OCC
616SMDSC	ADAPTER PLATE ASSY, DUAL SC X 3, SM, 6 PORT, OCC
616DSC	ADAPTER PLATE ASSY, DUAL SC X 3, SM/MM, 6 PORT, OCC
OCC PART NO.	DESCRIPTION

NOTES: UNLESS OTHERWISE SPECIFIED.

- EACH FIBER ADAPTER KIT IS SUPPLIED WITH COMPONENTS SHOWN.
- ADAPTER SPECIFICATIONS (MULTIMODE) 50µm, 50µm 10 GIG, 62.5µm
INSERTION LOSS (AVERAGE): PHOSPHOR BRONZE SLEEVE: ≤0.3 dB MAX.
SLEEVE/FERRULE WITHDRAWAL FORCE: 2.0N ~ 5.9N (200gf ~ 600gf)
- ADAPTER SPECIFICATIONS (SINGLEMODE)
INSERTION LOSS (AVERAGE): ZIRCONIA CERAMIC SLEEVE: ≤0.2 dB MAX.
SLEEVE/FERRULE WITHDRAWAL FORCE: 2.0N ~ 5.9N (200gf ~ 600gf)



UNCONTROLLED COPY	
UNLESS OTHERWISE SPECIFIED DIMENSIONS ARE IN INCHES. TOLERANCES: FRACTIONS ±1/32" ANGLES ±1/2° 3 PLACE DECIMALS ±.005" 2 PLACE DECIMALS ±.01"	THIS DRAWING AND THE DESIGN SHOWN ARE THE PROPERTY OF OPTICAL CABLE CORPORATION AND MAY NOT BE USED AS THE BASIS FOR MANUFACTURE OR SALE WITHOUT SPECIFIC WRITTEN PERMISSION OF OPTICAL CABLE CORPORATION.
MATERIAL SEE BILL OF MATERIAL	FINISH SEE BILL OF MATERIAL

DRAWN	D.A.HOLBERT	DATE	12/10/01
CHECKED	R.B.SMITH	DATE	1/16/02
ENGINEER	J.YANIK	DATE	12/10/01
APPROVED	R.B.SMITH	DATE	5/22/06
PREVIOUS DWG			
NEXT DWG	FILENAME C103400B.DFT	SCALE:	NONE

5290 Concourse Drive
Roanoke, VA 24019
Phone: 800-622-7711
Fax: 540-265-0724
www.occfiber.com

DWG TITLE		CUSTOMER DRAWING, ADAPTER PLATE ASSY, DUAL SC X 3, SM/MM, 6 PORT	
SIZE	DWG NO.	REV	
B	C103400	B	
SCALE:	SHEET	1 OF 1	