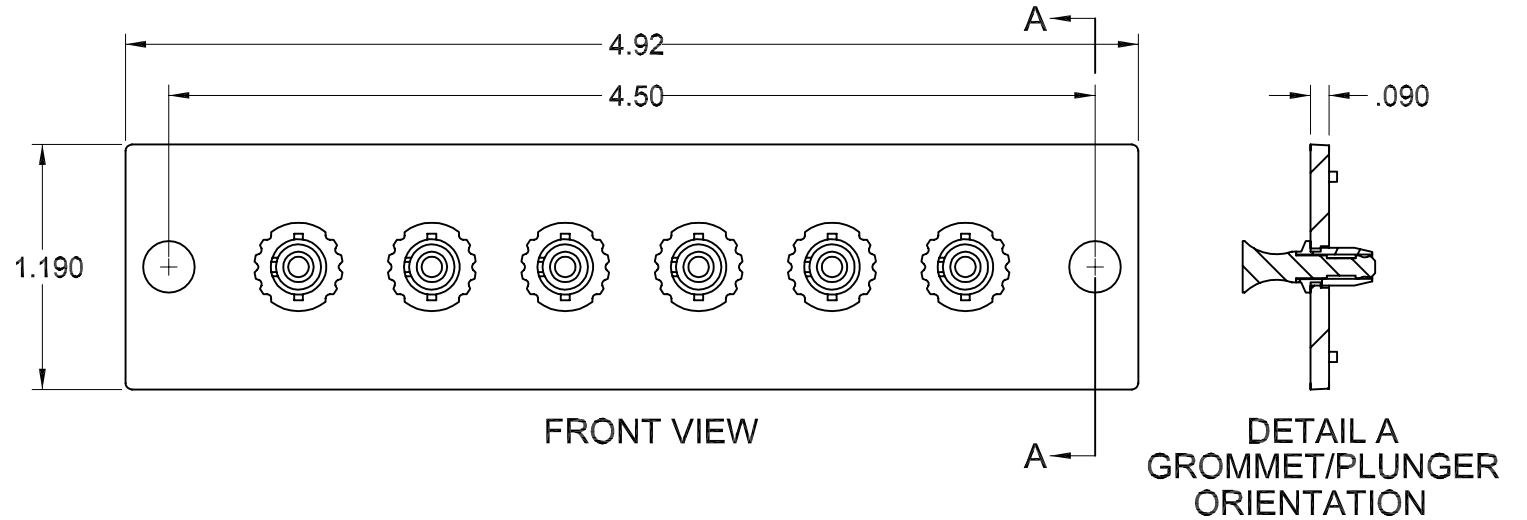
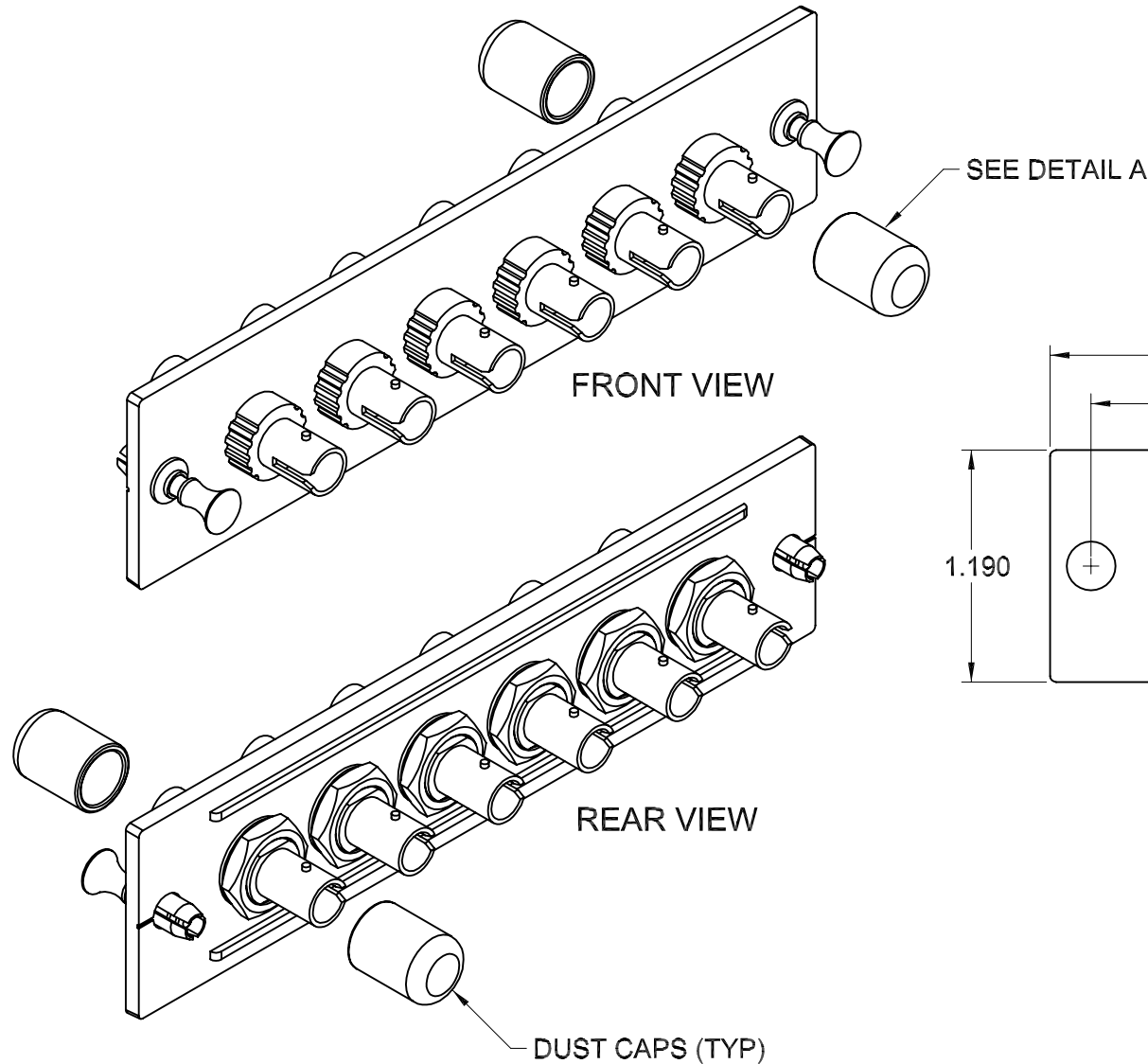


REVISION HISTORY				
REV	SHT	DESCRIPTION	DATE	CHECKED
A	ALL	RELEASE NEW	12/10/01	RBS
B	-	CHGD: PLATE FROM ALUMINUM TO GLASS FILLED PLASTIC	5/22/06	DAH



NOTES: UNLESS OTHERWISE SPECIFIED.

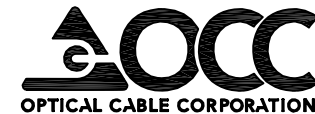
- EACH FIBER ADAPTER KIT IS SUPPLIED WITH COMPONENTS SHOWN.
- ADAPTER SPECIFICATIONS (MULTIMODE) 50µm, 50µm 10 GIG, 62.5µm  
INSERTION LOSS (AVERAGE): PHOSPHOR BRONZE SLEEVE: ≤0.3 dB MAX.  
SLEEVE/FERRULE WITHDRAWAL FORCE: 2.0N ~ 5.9N (200gf ~ 600gf)
- ADAPTER SPECIFICATIONS (SINGLEMODE)  
INSERTION LOSS (AVERAGE): ZIRCONIA CERAMIC SLEEVE: ≤0.2 dB MAX.  
SLEEVE/FERRULE WITHDRAWAL FORCE: 2.0N ~ 5.9N (200gf ~ 600gf)

616MMST	ADAPTER PLATE ASSY, ST, MM, 6 PORT, OCC
616SMST	ADAPTER PLATE ASSY, ST, SM, 6 PORT, OCC
616ST	ADAPTER PLATE ASSY, ST, SM/MM, 6 PORT, OCC
OCC PART NO.	DESCRIPTION

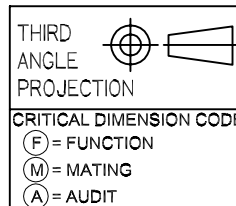
### UNCONTROLLED COPY

UNLESS OTHERWISE SPECIFIED DIMENSIONS ARE IN INCHES.  
TOLERANCES: FRACTIONS ±1/32"  
ANGLES ±1/2°  
3 PLACE DECIMALS ±.005"  
2 PLACE DECIMALS ±.01"

THIS DRAWING AND THE DESIGN SHOWN ARE THE PROPERTY OF OPTICAL CABLE CORPORATION AND MAY NOT BE USED AS THE BASIS FOR MANUFACTURE OR SALE WITHOUT SPECIFIC WRITTEN PERMISSION OF OPTICAL CABLE CORPORATION.



5290 Concourse Drive  
Roanoke, VA 24019  
Phone: 800-622-7711  
Fax: 540-265-0724  
www.occfiber.com



MATERIAL  
SEE BILL OF MATERIAL

FINISH  
SEE NOTES

DRAWN	D.A.HOLBERT	DATE	12/10/01
CHECKED	R.B.SMITH	DATE	1/16/02
ENGINEER	J.YANIK	DATE	12/10/01
APPROVED	R.B.SMITH	DATE	5/22/06
PREVIOUS DWG			
NEXT DWG		FILENAME	C103412B.DFT

DWG TITLE				CUSTOMER DRAWING, ADAPTER PLATE ASSY, ST, SM/MM, 6 PORT, OCC		
SIZE	B	DWG NO.	C103412	REV	B	
SCALE:	NONE	SHEET	1 OF 1			