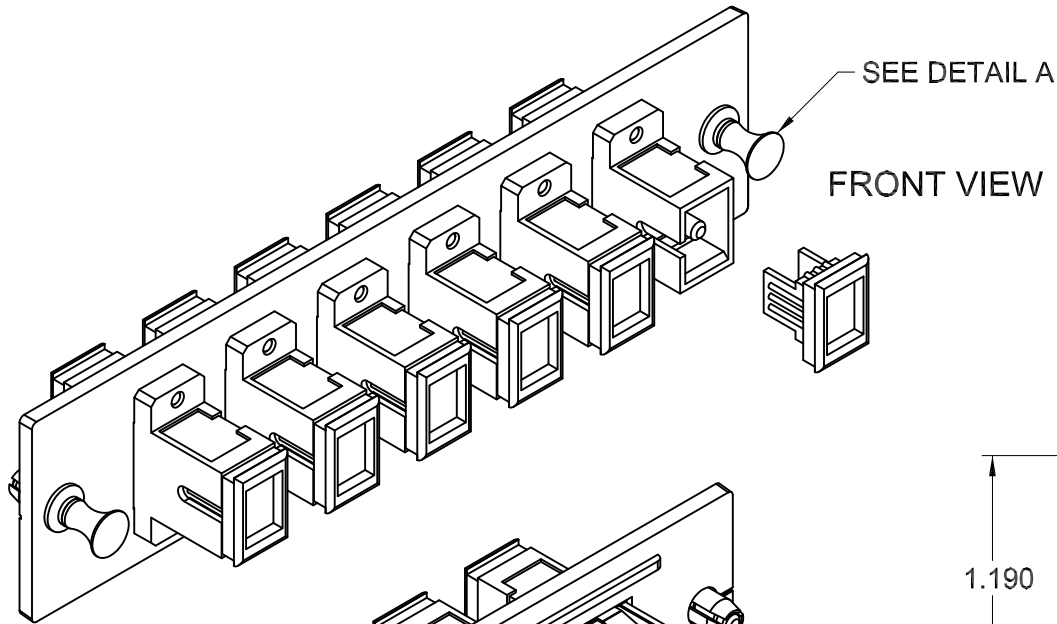
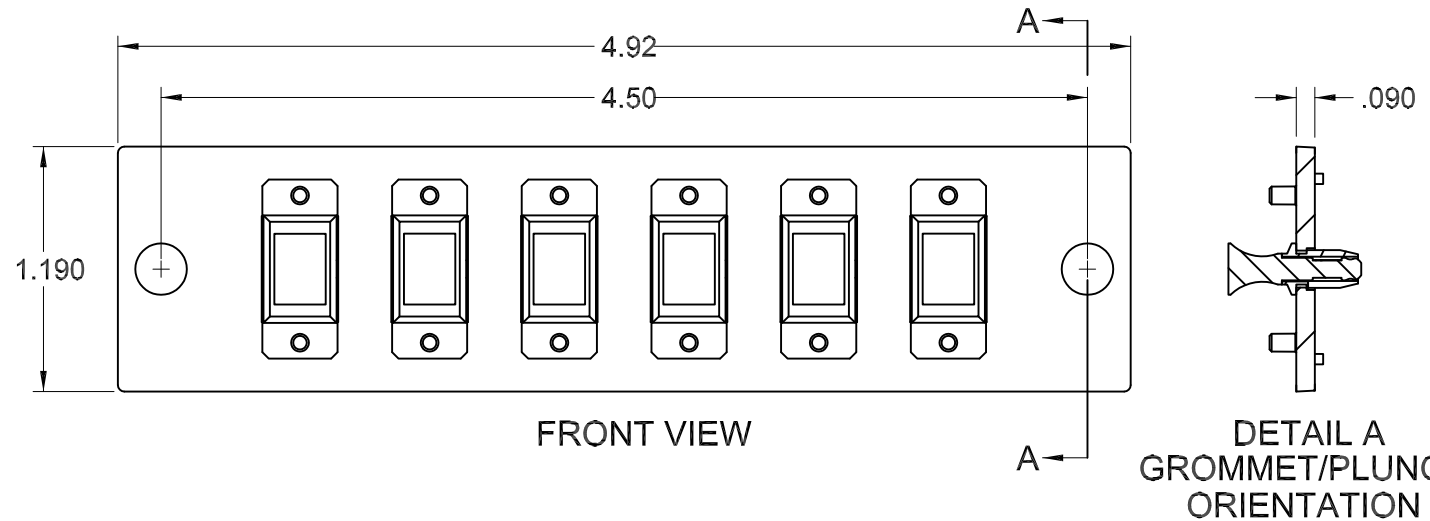


REVISION HISTORY					
REV	SHT	DESCRIPTION	DATE	ECN	CHECKED
A	ALL	RELEASE NEW	6/2/06	NEW	RBS
J	-	ADDED: MORE 6 PORT SC ADAPTER OPTIONS	1/25/12	-	RBS

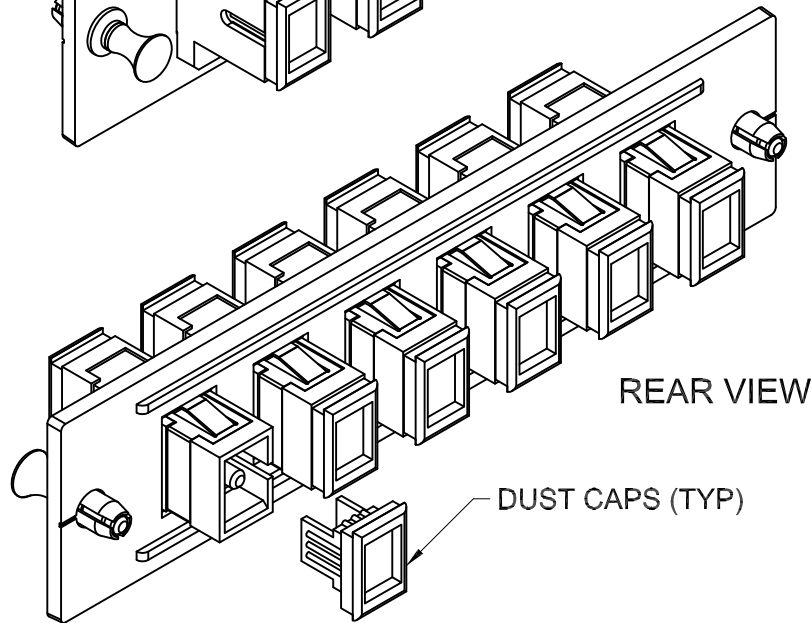


FRONT VIEW



FRONT VIEW

DETAIL A
GROMMET/PLUNGER
ORIENTATION



REAR VIEW

DUST CAPS (TYP)

NOTES: UNLESS OTHERWISE SPECIFIED.

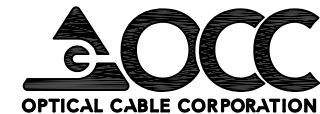
- EACH FIBER ADAPTER KIT IS SUPPLIED WITH COMPONENTS SHOWN.
- ADAPTER SPECIFICATIONS (MULTIMODE) 50µm, 50µm 10 GIG, 62.5µm
INSERTION LOSS (AVERAGE): PHOSPHOR BRONZE SLEEVE: ≤ 0.3 dB MAX.
SLEEVE/FERRULE WITHDRAWAL FORCE: 2.0N ~ 5.9N (200gf ~ 600gf)
- ADAPTER SPECIFICATIONS (SINGLEMODE)
INSERTION LOSS (AVERAGE): ZIRCONIA CERAMIC SLEEVE: ≤ 0.2 dB MAX.
SLEEVE/FERRULE WITHDRAWAL FORCE: 2.0N ~ 5.9N (200gf ~ 600gf)

616SCAPC	ADAPTER PLATE ASSY, SCAPCX6, SM, 6 PORT, OCC
616SMSC	ADAPTER PLATE ASSY, SCX6, SM, 6 PORT, OCC
616MMSC	ADAPTER PLATE ASSY, SCX6, MM, 6 PORT, OCC
616SC	ADAPTER PLATE ASSY, SCX6, SM/MM, 6 PORT, OCC
616SC50G	ADAPTER PLATE ASSY, SCX6, 50/125 µm 10 GIG, 6 PORT, OCC
OCC PART NO.	DESCRIPTION

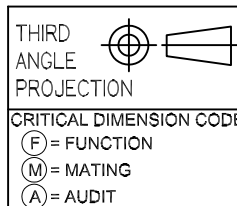
UNCONTROLLED COPY

UNLESS OTHERWISE SPECIFIED
DIMENSIONS ARE IN INCHES.
TOLERANCES: FRACTIONS ±1/32"
ANGLES ±1/2°
3 PLACE DECIMALS ±.005"
2 PLACE DECIMALS ±.01"

THIS DRAWING AND THE DESIGN SHOWN ARE THE
PROPERTY OF OPTICAL CABLE CORPORATION AND
MAY NOT BE USED AS THE BASIS FOR MANU-
FACTURE OR SALE WITHOUT SPECIFIC WRITTEN
PERMISSION OF OPTICAL CABLE CORPORATION.



5290 Concourse Drive
Roanoke, VA 24019
Phone: 800-622-7711
Fax: 540-265-0724
www.occfiber.com



MATERIAL
SEE BILL OF MATERIAL

FINISH
SEE BILL OF MATERIAL

DRAWN	D.A.HOLBERT	DATE	6/2/06
CHECKED	R.B.SMITH	DATE	6/6/06
ENGINEER	J.YANIK	DATE	6/2/06
APPROVED	R.B.SMITH	DATE	1/25/12
PREVIOUS DWG			
NEXT DWG		FILENAME	C:107711J.DFT

DWG TITLE				CUSTOMER DRAWING, ADAPTER PLATE ASSY, SC, SM/MM, 6 PORT, OCC		
SIZE	B	DWG NO.	C107711		REV	J
SCALE:	NONE	SHEET	1 OF 1			