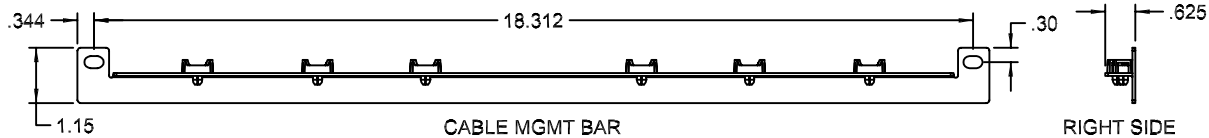
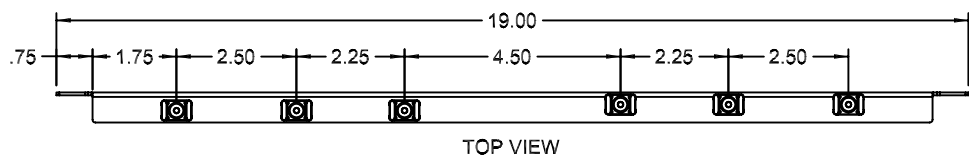
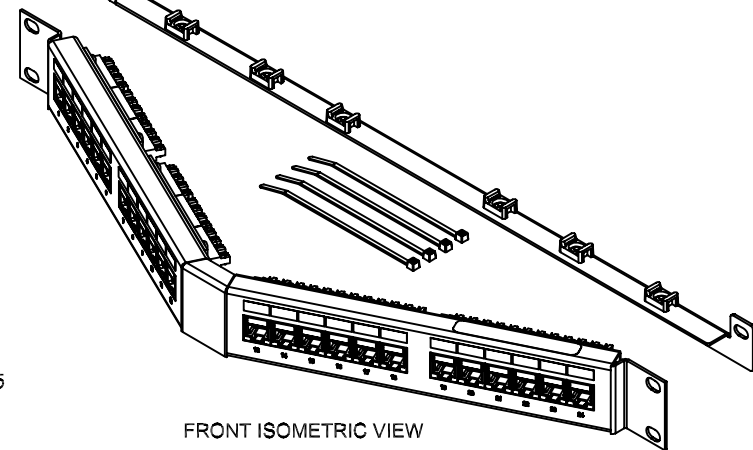
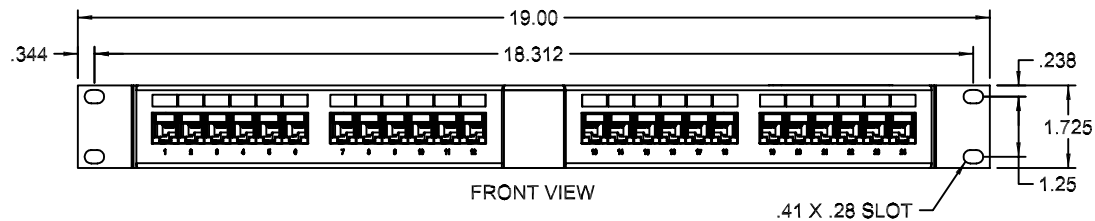
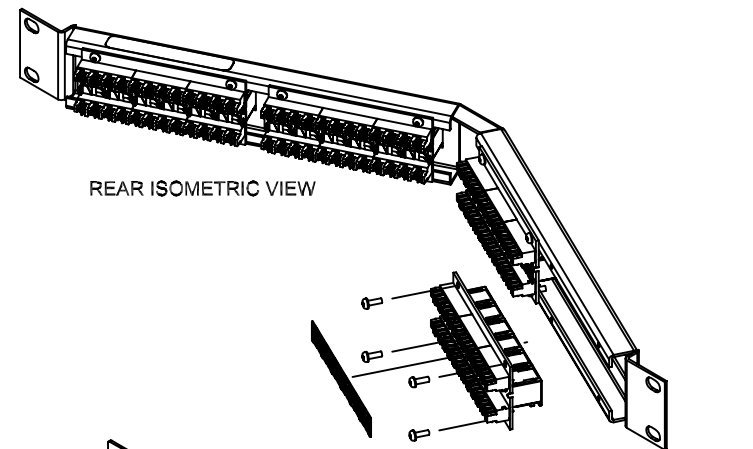
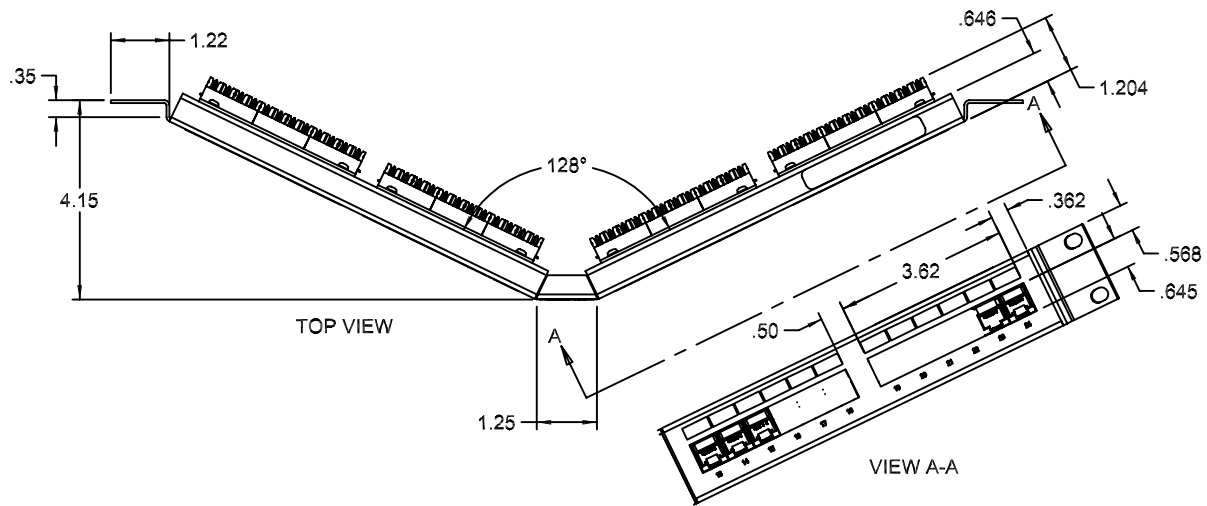
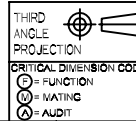


REVISION HISTORY				
REV	DESCRIPTION	DATE	EN	CHECKED
A	RELEASE NEW	9/17/07	NEW	JY



NOTES: UNLESS OTHERWISE SPECIFIED.  
1. DIMENSIONS ARE IN ENGLISH MEASUREMENTS.

UNCONTROLLED COPY



ACC2488/110SIX	ASSY, PATCH PANEL, ANGLED, 24 PORT, CAT6, 1U		
OCC PART NUMBER	DESCRIPTION		
UNLESS OTHERWISE SPECIFIED DIMENSIONS ARE IN INCHES. TOLERANCES: FRACTIONS ±1/32 ANGLES ±12° 3 PLACE DECIMALS ±.005 2 PLACE DECIMALS ±.01		THIS DRAWING AND THE DESIGN SHOWN ARE THE PROPERTY OF OPTICAL CABLE CORPORATION AND MAY NOT BE USED AS THE BASIS FOR MANUFACTURE OR SALE WITHOUT SPECIFIC WRITTEN PERMISSION OF OPTICAL CABLE CORPORATION.	
MATERIAL: PANEL: CRS, 16 GA. (.0598" THK REFERENCE)		5280 Concourse Drive Roanoke, VA 24019 Phone: 800-822-7711 Fax: 540-265-0724 www.oocfiber.com	
FINISH: POWDER COAT BLACK PER SMP SPEC# 10002501	DRAWN: E.WETLI CHECKED: J.YANIK ENGINEER: J.MALTAIS APPROVED: J.HOWE	DATE: 9/17/07 DATE: 9/18/07 DATE: 9/17/07 DATE: 9/18/07	DWG TITLE: PATCH PANEL ASSEMBLY, ANGLED, 24 PORT, CAT6, 1U
	SIZE: C	DWG NO: C108490	REV: A
	FILENAME: C108490A.DFT	SCALE: NONE	SHEET: 1 OF 1