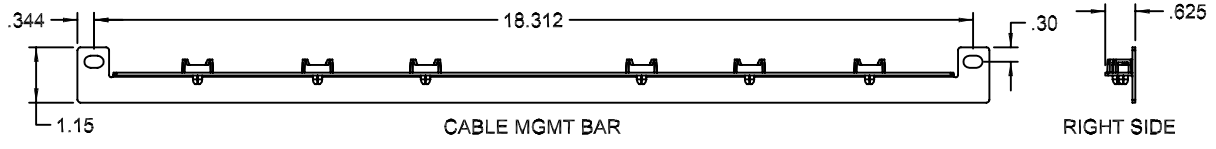
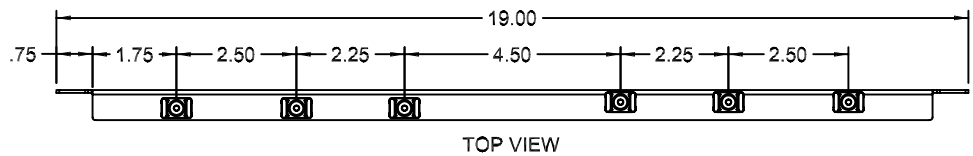
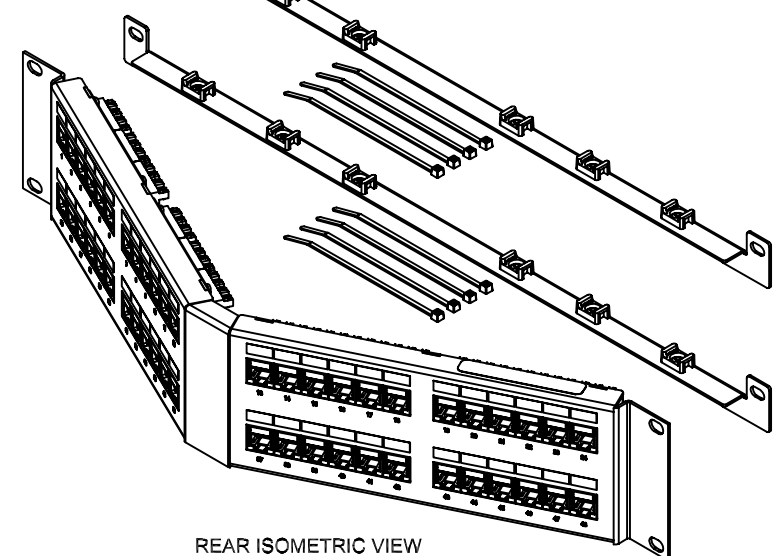
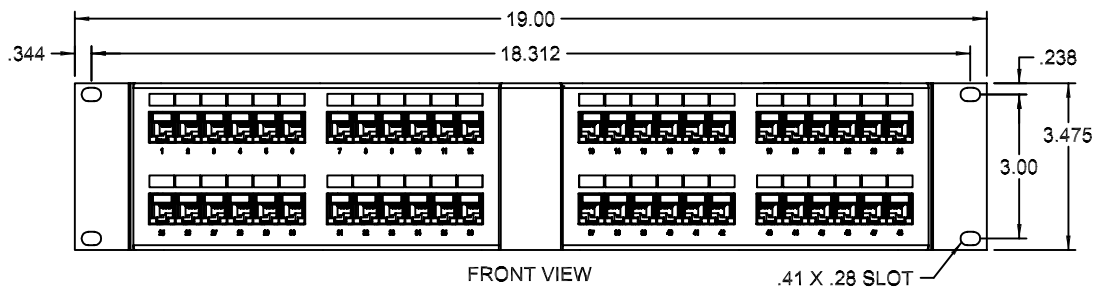
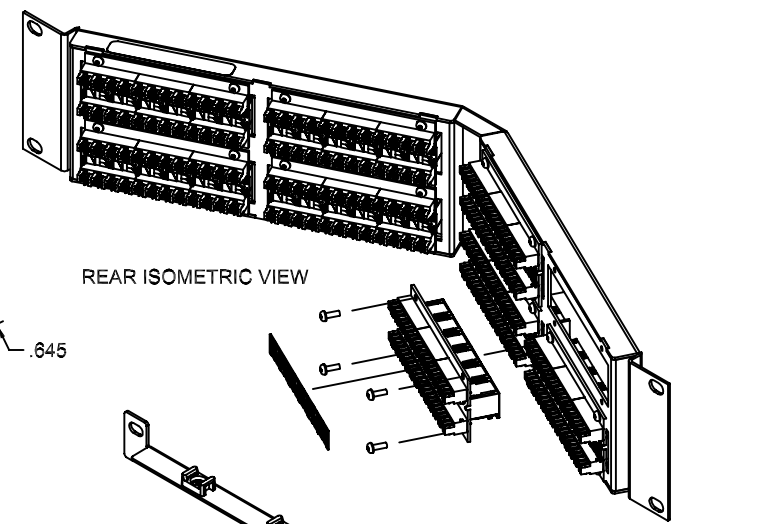
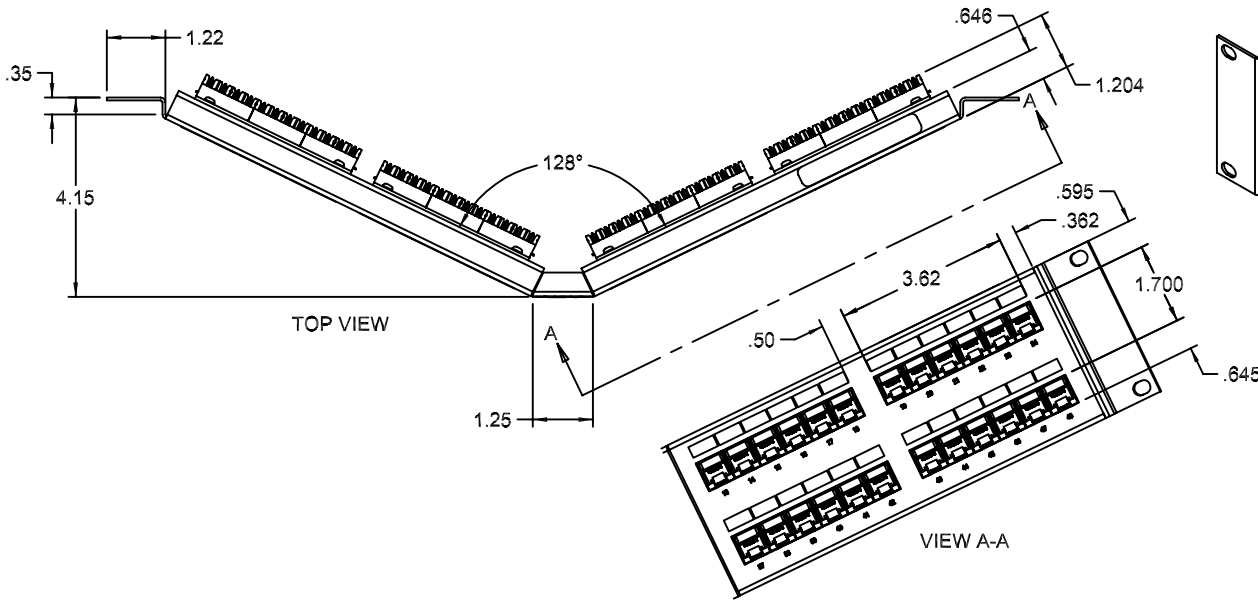
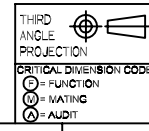


REVISION HISTORY				
REV	DATE	BY	CHKD	DESCRIPTION
A	9/17/07	NEW	JY	RELEASE NEW



NOTES: UNLESS OTHERWISE SPECIFIED.
 1. DIMENSIONS ARE IN ENGLISH MEASUREMENTS.

UNCONTROLLED COPY



ACC4888/110SIX	ASSY, PATCH PANEL, ANGLED, 48 PORT, CAT6, 2U
OCC PART NUMBER	DESCRIPTION
UNLESS OTHERWISE SPECIFIED DIMENSIONS ARE IN INCHES. TOLERANCES: FRACTIONS ±1/32 ANGLES ±1/2° 3 PLACE DECIMALS ±.005" 2 PLACE DECIMALS ±.01"	
THIS DRAWING AND THE DESIGN SHOWN ARE THE PROPERTY OF OPTICAL CABLE CORPORATION AND MAY NOT BE USED AS THE BASIS FOR MANUFACTURE OR SALE WITHOUT SPECIFIC WRITTEN PERMISSION OF OPTICAL CABLE CORPORATION.	
DRAWN E.WETLI	DATE 9/11/07
CHECKED J.YANIK	DATE 9/18/07
ENGINEER J.MALTAIS	DATE 9/11/07
APPROVED J.HOWE	DATE 9/18/07
PREVIOUS DWG	
NEXT DWG	
MATERIAL PANEL: CRS, 16 GA. (.0598" THK REFERENCE)	FINISH POWDER COAT BLACK OCC SPEC# 10002501
5280 Concourse Drive Roanoke, VA 24019 Phone: 800-822-7711 Fax: 540-265-0724 www.occfiber.com	
DWG TITLE PATCH PANEL ASSEMBLY, ANGLED, 48 PORT, CAT6, 2U	
SIZE C	DWG NO. C108491
REV A	SCALE: NONE SHEET 1 OF 1
FILENAME C108491A.DFT	