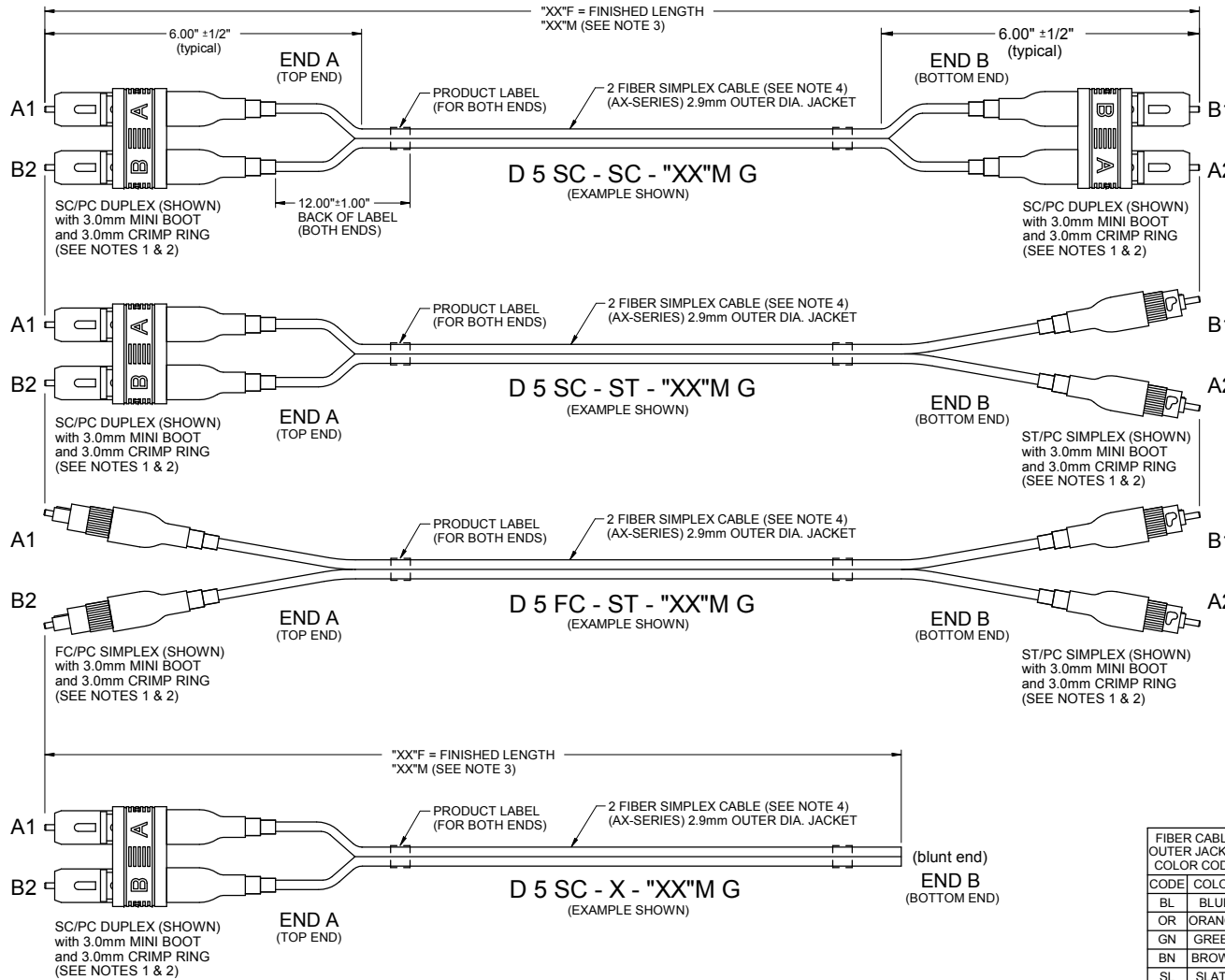


"OPTICAL CABLE CORPORATION (OCC)
RESERVES THE RIGHT TO REVISE ANY
AND ALL DESIGN SPECIFICATIONS."
UNCONTROLLED COPY



D 5 FC - SC - "XX" G
D 5 L SC - ST - "XX" Q "CC" P2 (EXAMPLES SHOWN)
D 5 P SC - SC - "XX" V "CC" PK

PULLING EYE KIT (OPTIONAL)
(P2=2 PULLING EYE KITS (END A & B)
(PK=1 PULLING EYE KIT ON END A ONLY)
CABLE COLOR (SEE TABLE AT RIGHT) OPTIONAL
FIBER MODE ADD (G=50µm OM3, Q=50µm OM4, V=50µm OM5)
FINISHED LENGTH ("XX"=FEET, "XX"=METERS)

END A "TOP END" CONNECTORS (FC/PC SIMPLEX, SC/PC DUPLEX, ST/PC SIMPLEX)
END B "BOTTOM END" CONNECTORS (FC/PC SIMPLEX, SC/PC DUPLEX, ST/PC SIMPLEX) FOR BLUNTS X=BLUNT END

CABLE STYLE: AX-series 2.9mm O.D. (900µm INNER FIBER) SEE NOTE 4
FIBER MODE (5=50µm) SEE ABOVE FOR OM3, OM4 or OM5 CODES
OUTER JACKET RATED (P=PLENUM, L=LSZH) NO LETTER IS FOR RISER RATED

PRODUCT CODE (2 FIBER DUPLEX) ENTERPRISE CABLE ASSEMBLY
WARNING: IF RODENT/TERMITE DETERRENT BE CAUTIOUS OF GLASS YARN

SEE SHEET 2 FOR LC/PC & AE SERIES

AX SERIES (NON-ARMOR) FIBER CABLE

NOTES: UNLESS OTHERWISE SPECIFIED.

1. **TESTING:** SEE OCC FIBER TEST SPEC# 104894 FOR APPROPRIATE TEST REQUIREMENTS. TEST DATA REQUIRED FOR EACH JUMPER ASSEMBLY CONNECTOR END.

DISCREET CONNECTOR TYPE	3.0mm MINI BOOT COLOR				INNER FIBER	COLOR CODE
	50µm OM3	50µm OM4	50µm OM5			
FC/PC	BLACK	BEIGE	BLACK	LIME	A1 - B1	BLUE
SC/PC	BLACK	BEIGE	BLACK	LIME	A2 - B2	ORANGE
ST/PC	BLACK	BEIGE	BLACK	LIME		

HOUSING and/or SHROUD COLOR and/or CLIP				CODE
DISCREET CONNECTOR TYPE	50µm OM2	50µm OM3	50µm OM5	
FC/PC SIMPLEX	METAL	METAL	METAL	FC
SC/PC DUPLEX	AQUA	LIME	SC	
ST/PC SIMPLEX	METAL	METAL	ST	

CONNECTOR BODY HOUSING MATERIAL LC and SC "THERMOPLASTIC" FC and ST "METAL"

3. **ASSEMBLY (FINISHED LENGTH) TOLERANCE:**
less than or equal to 5 meters (approx. 16.4 feet) is: +2"/-0"
greater than 5 meters (approx. 16.5 feet) is: +(6" + 3%) / -0"

4. **ATTENTION:** ALL ASSEMBLIES MUST BE MANUFACTURED FROM OPTICAL CABLE CORP FIBER CABLE or have OCC ENGINEERING APPROVED EQUIVALENT. SEE "CC" COLOR CODE CHART, TO THE RIGHT, FOR OTHER O.D. JACKET COLORS.

50µm MM (OM3) RISER 2.9mm O.D.	OCC FIBER CABLE# AX002NALT9QR
50µm MM (OM4) RISER 2.9mm O.D.	OCC FIBER CABLE# AX002NALESQR
50µm MM (OM5) RISER 2.9mm O.D.	OCC FIBER CABLE# AX002NALW9LR
50µm MM (OM3) PLENUM 2.9mm O.D.	OCC FIBER CABLE# AX002SALT9QP
50µm MM (OM4) PLENUM 2.9mm O.D.	OCC FIBER CABLE# AX002SALESQP
50µm MM (OM5) PLENUM 2.9mm O.D.	OCC FIBER CABLE# AX002SALW9LP
50µm MM (OM3) LSZH 2.9mm O.D.	OCC FIBER CABLE# AX002ZALT9QE
50µm MM (OM4) LSZH 2.9mm O.D.	OCC FIBER CABLE# AX002ZALESQE
50µm MM (OM5) LSZH 2.9mm O.D.	OCC FIBER CABLE# AX002ZALW9LE

5. **PULLING EYE KIT(S):** KITS INTENDED FOR LIGHT (EASY) DUTY ONLY. ADD "PK" or "P2" TO SUFFIX OF OCC P/N.

FIBER CABLE OUTER JACKET COLOR CODE	CODE	COLOR
BL	BLUE	
OR	ORANGE	
GN	GREEN	
BN	BROWN	
SL	SLATE	
WT	WHITE	
RD	RED	
BK	BLACK	
YL	YELLOW	
PL	VIOLET	
RS	ROSE	

UNLESS OTHERWISE SPECIFIED DIMENSIONS ARE IN INCHES
TOLERANCES:
FRACTIONS ±.132"
ANGLES ±1/2°
3 PLACE DECIMALS ±.015"
2 PLACE DECIMALS ±.03"
MATERIAL SEE BILL OF MATERIAL

THIS DRAWING AND THE DESIGN SHOWN ARE THE PROPERTY OF OPTICAL CABLE CORPORATION AND MAY NOT BE USED AS THE BASIS FOR MANUFACTURE OR SALE WITHOUT SPECIFIC WRITTEN PERMISSION OF OPTICAL CABLE CORPORATION.

DRAWN J. D. HOLBERT	DATE 2/19/13
CHECKED J. HOWE	DATE 3/3/15
ENGINEER J. YANIK	DATE 2/19/13
APPROVED J. CALLOWAY	DATE 7/26/21
PREVIOUS DWG	
NEXT DWG	



33 Superior Way
Swannanoa, NC 28778
Phone: 828-298-2260
Fax: 828-298-2487
www.occfiber.com

DWG TITLE F.O. JUMPER ASSY, MM, DUPLEX, SC-FC/SC/ST, AX-series, OM3 / OM4 / OM5

SIZE C DWG NO. **C111452** REV H

THIRD ANGLE PROJECTION
CRITICAL DIMENSION CODE
⊕ = FUNCTION
⊗ = MATING
⊙ = AUDIT

FINISH SEE NOTES

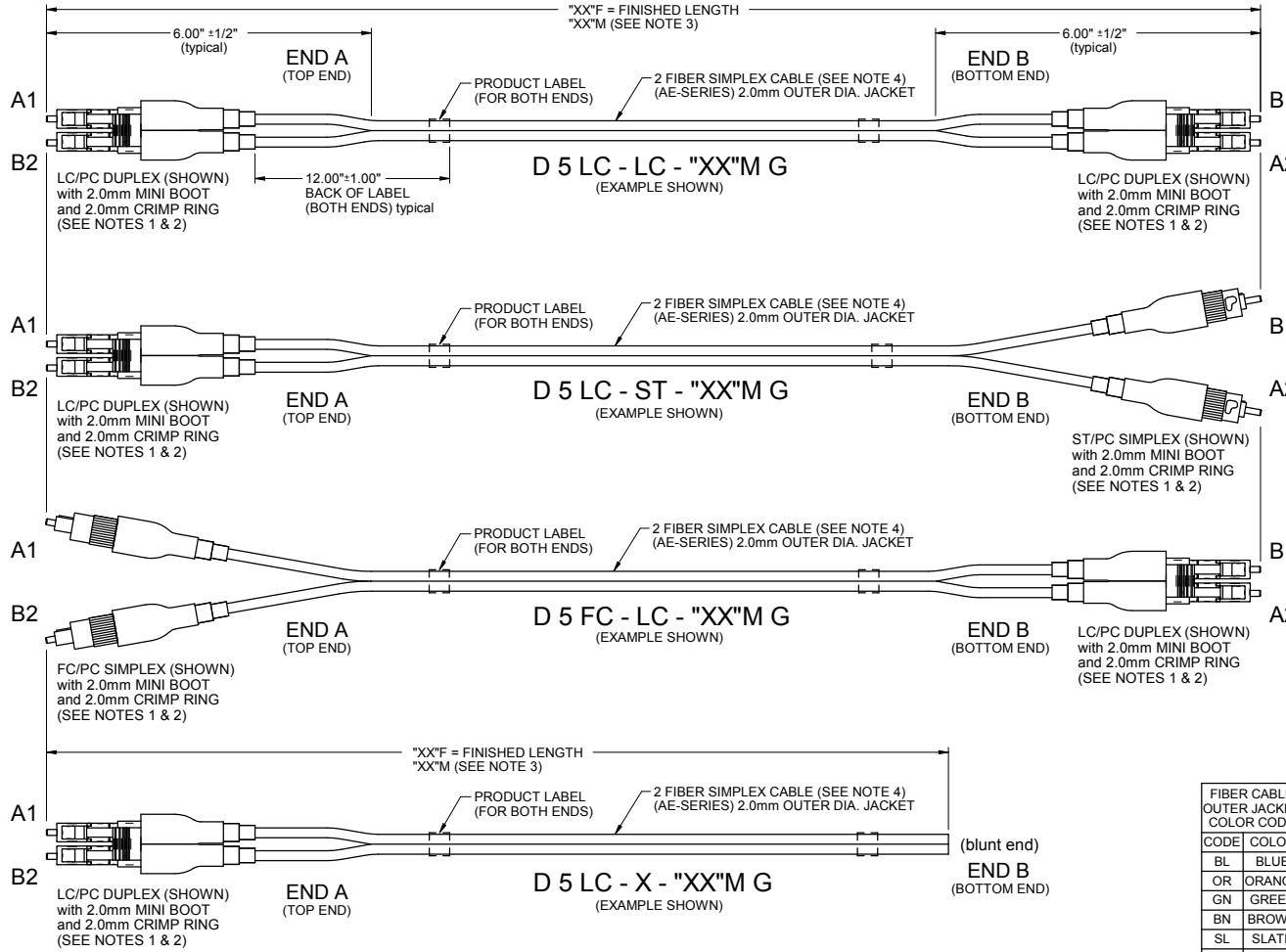
FILENAME C111452H.dft SCALE: NONE SHEET 1 OF 2

PROPRIETARY AND CONFIDENTIAL

"OPTICAL CABLE CORPORATION (OCC)
RESERVES THE RIGHT TO REVISE ANY
AND ALL DESIGN SPECIFICATIONS."
UNCONTROLLED COPY



LC/PC DUPLEX (profile view)



D 5 FC - LC - "XX" G

D 5 L LC - ST - "XX" Q "CC" P2 (EXAMPLES SHOWN)

D 5 P LC - SC - "XX" V "CC" PK

PULLING EYE KIT (OPTIONAL)

(P2=2 PULLING EYE KITS (END A & B)

(PK=1 PULLING EYE KIT on END A only)

CABLE COLOR (SEE TABLE AT RIGHT) OPTIONAL

FIBER MODE ADD (G=50µm OM3, Q=50µm OM4, V=50µm OM5)

FINISHED LENGTH ("XX"=FEET, "XX"=METERS)

END A "TOP END" CONNECTORS (FC/PC SIMPLEX, LC/PC DUPLEX)

END B "BOTTOM END" CONNECTORS (LC/PC DUPLEX, SC/PC DUPLEX, ST/PC SIMPLEX) FOR BLUNTS X=BLUNT END

CABLE STYLE: AE-series 2.0mm O.D. (900µm INNER FIBER) SEE NOTE 4

FIBER MODE (5=50µm) SEE ABOVE FOR OM3, OM4 or OM5 CODES

OUTER JACKET RATED (P=PLENUM, L=LSZH) NO LETTER IS FOR RISER RATED

PRODUCT CODE (2 FIBER DUPLEX) ENTERPRISE CABLE ASSEMBLY

WARNING: IF RODENT/TERMITE DETERRENT BE CAUTIOUS OF GLASS YARN

SEE SHEET 1 FOR SC/PC & AX SERIES

AE SERIES (NON-ARMOR) FIBER CABLE

NOTES: UNLESS OTHERWISE SPECIFIED.

1. **TESTING:** SEE OCC FIBER TEST SPEC# 104894 FOR APPROPRIATE TEST REQUIREMENTS. TEST DATA REQUIRED FOR EACH JUMPER ASSEMBLY CONNECTOR END.

DISCREET CONNECTOR TYPE	2.0mm MINI BOOT COLOR				INNER FIBER	COLOR CODE
	50µm OM3	50µm OM4	50µm OM5			
LC/PC	WHITE	WHITE	WHITE	WHITE	A1 & A2	BLUE
FC/PC	BLACK	BEIGE	BLACK	LIME	B1 & B2	ORANGE
SC/PC	BLACK	BEIGE	BLACK	LIME		
ST/PC	BLACK	BEIGE	BLACK	LIME		

HOUSING and/or SHROUD COLOR and/or CLIP				CODE
DISCREET CONNECTOR TYPE	50µm OM2	50µm OM3	50µm OM5	
LC/PC DUPLEX	AQUA		LIME	LC
FC/PC SIMPLEX	METAL		METAL	FC
SC/PC SIMPLEX	AQUA		LIME	SC
ST/PC SIMPLEX	METAL		METAL	ST

CONNECTOR BODY HOUSING MATERIAL
LC and SC "THERMOPLASTIC"
FC and ST "METAL"

3. **ASSEMBLY (FINISHED LENGTH) TOLERANCE:**
less than or equal to 5 meters (approx. 16.4 feet) is: +2/-0"
greater than 5 meters (approx. 16.5 feet) is: +(6" + 3%) / -0"

4. **ATTENTION:** ALL ASSEMBLIES MUST BE MANUFACTURED FROM OPTICAL CABLE CORP FIBER CABLE or have OCC ENGINEERING APPROVED EQUIVALENT. SEE "CC" COLOR CODE CHART, TO THE RIGHT, FOR OTHER O.D. JACKET COLORS.

50µm MM (OM3) RISER 2.0mm O.D.	OCC FIBER CABLE# AE002DAL79QR
50µm MM (OM4) RISER 2.0mm O.D.	OCC FIBER CABLE# AE002DAL9QR
50µm MM (OM5) RISER 2.0mm O.D.	OCC FIBER CABLE# AE002DALW9LR
50µm MM (OM3) PLENUM 2.0mm O.D.	OCC FIBER CABLE# AE002SAL79QP
50µm MM (OM4) PLENUM 2.0mm O.D.	OCC FIBER CABLE# AE002SAL9QP
50µm MM (OM5) PLENUM 2.0mm O.D.	OCC FIBER CABLE# AE002SALW9LP
50µm MM (OM3) LSZH 2.0mm O.D.	OCC FIBER CABLE# AE002ZAL79QZ
50µm MM (OM4) LSZH 2.0mm O.D.	OCC FIBER CABLE# AE002ZAL9QZ
50µm MM (OM5) LSZH 2.0mm O.D.	OCC FIBER CABLE# AE002ZALW9LZ

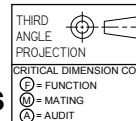
5. **PULLING EYE KIT(S):** KITS INTENDED FOR LIGHT (EASY) DUTY ONLY. ADD "PK" or "P2" TO SUFFIX OF OCC PIN.

CODE	COLOR
BL	BLUE
OR	ORANGE
GN	GREEN
BN	BROWN
SL	SLATE
WT	WHITE
RD	RED
BK	BLACK
YL	YELLOW
PL	VIOLET
RS	ROSE

UNLESS OTHERWISE SPECIFIED DIMENSIONS ARE IN INCHES
TOLERANCES:
FRACTIONS ±1/32"
ANGLES ±1/2°
3 PLACE DECIMALS ±0.015"
2 PLACE DECIMALS ±0.03"

MATERIAL SEE BILL OF MATERIAL

FINISH SEE NOTES



CHECKED J.HOWE	DATE 3/3/15
ENGINEER J.YANIK	DATE 2/19/13
APPROVED J.CALLOWAY	DATE 7/26/21
PREVIOUS DWG	
NEXT DWG	



33 Superior Way
Swannanoa, NC 28778
Phone: 828-298-2260
Fax: 828-298-2487
www.occfiber.com

F.O. JUMPER ASSY, MM, DUPLEX,
LC-FC/SC/ST, AX-series, OM3 / OM4 / OM5

SIZE C DWG NO. **C111452** REV H

FILENAME: C111452H.dft SCALE: NONE SHEET 2 OF 2

PROPRIETARY AND CONFIDENTIAL