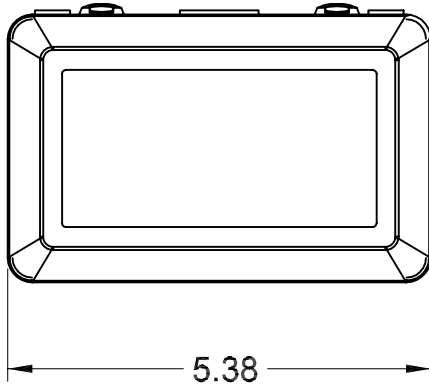
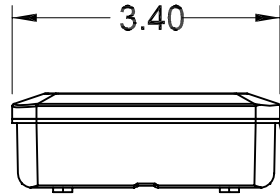


REVISION HISTORY					
REV	SHT	DESCRIPTION	DATE	ECN	CHECKED
A	ALL	RELEASE NEW	2/22/06	NEW	JY
B	-	UPDATED: DRAWING TO SHOW FIBER OPTIC CLEAVER PART	2/28/08	-	JH



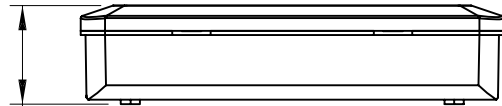
5.38

TOP VIEW



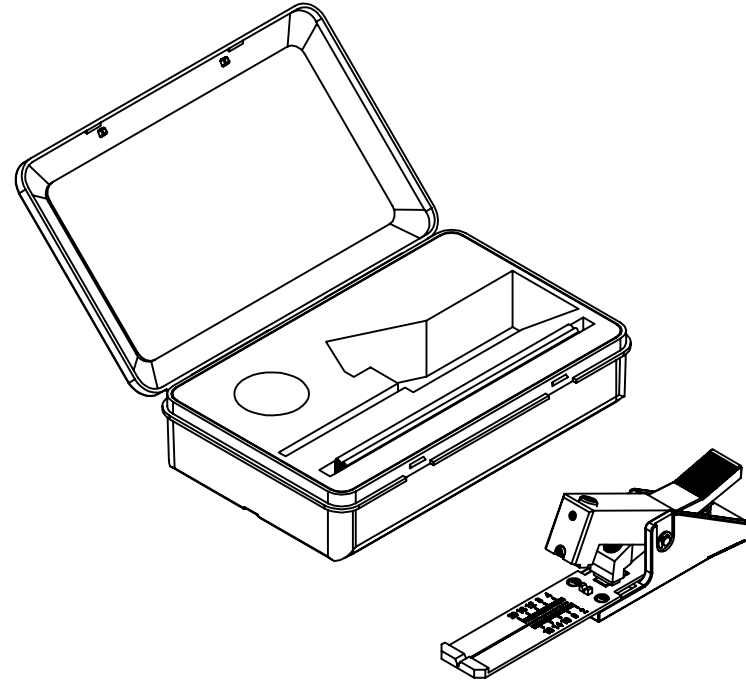
3.40

RIGHT SIDE



1.25

FRONT VIEW



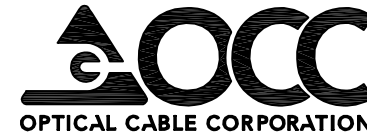
FIBER OPTIC CLEAVER

UNCONTROLLED COPY

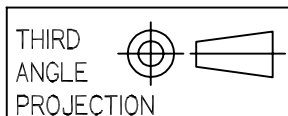
FOCT2	CLEAVER, FIBER OPTIC, FIELD
OCC PART NO.	DESCRIPTION

UNLESS OTHERWISE SPECIFIED
DIMENSIONS ARE IN INCHES.
TOLERANCES: FRACTIONS $\pm 1/32"$
ANGLES $\pm 1/2^\circ$
3 PLACE DECIMALS $\pm .005"$
2 PLACE DECIMALS $\pm .01"$

THIS DRAWING AND THE DESIGN SHOWN ARE THE
PROPERTY OF OPTICAL CABLE CORPORATION AND
MAY NOT BE USED AS THE BASIS FOR MANU-
FACTURE OR SALE WITHOUT SPECIFIC WRITTEN
PERMISSION OF OPTICAL CABLE CORPORATION.



5290 Concourse Drive
Roanoke, VA 24019
Phone: 800-622-7711
Fax: 540-265-0724
www.occfiber.com



THIRD ANGLE PROJECTION

CRITICAL DIMENSION CODE
(F) = FUNCTION
(M) = MATING
(A) = AUDIT

MATERIAL
SEE BILL OF MATERIAL

FINISH
SEE BILL OF MATERIAL

DRAWN	E.WETLI	DATE	2/22/06
CHECKED	J.YANIK	DATE	2/22/06
ENGINEER	J.YANIK	DATE	2/22/06
APPROVED	J.HOWE	DATE	2/28/08
PREVIOUS DWG			
NEXT DWG		FILENAME	C107592B.DFT

DWG TITLE		CLEAVER, FIELD, FIBER OPTIC	
SIZE	DWG NO.	REV	
A	C107592	B	
SCALE:	NONE	SHEET	1 OF 1