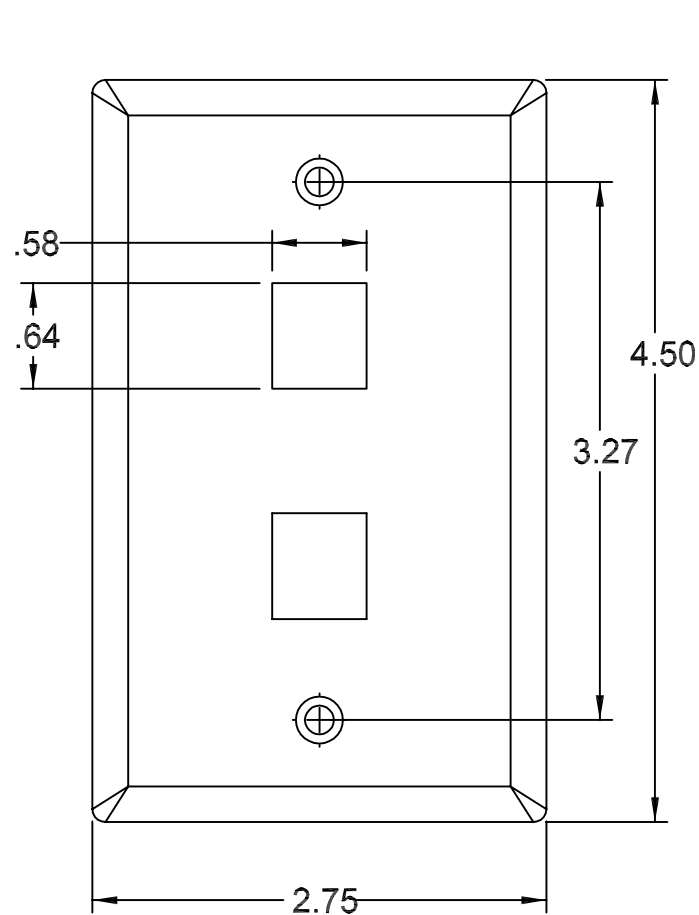
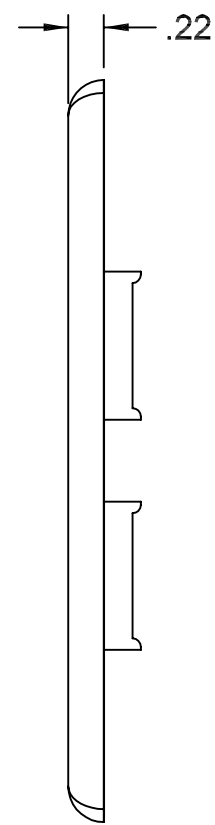


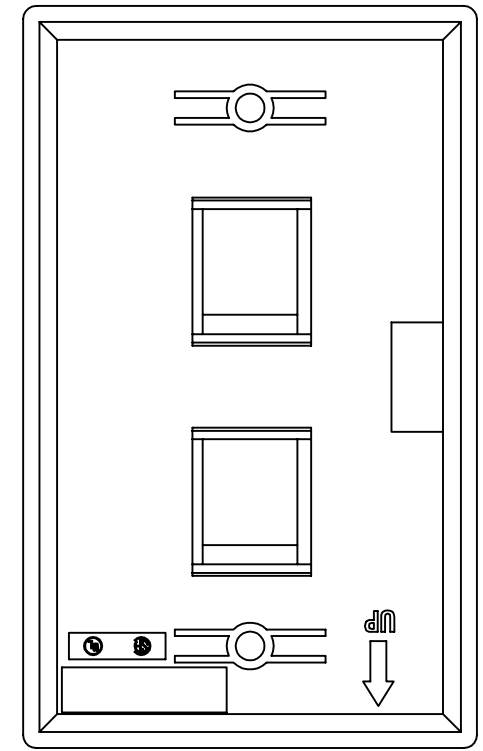
REVISION HISTORY				
REV	SHT	DESCRIPTION	DATE	CHECKED
A	ALL	RELEASE NEW	1/26/05	RBS



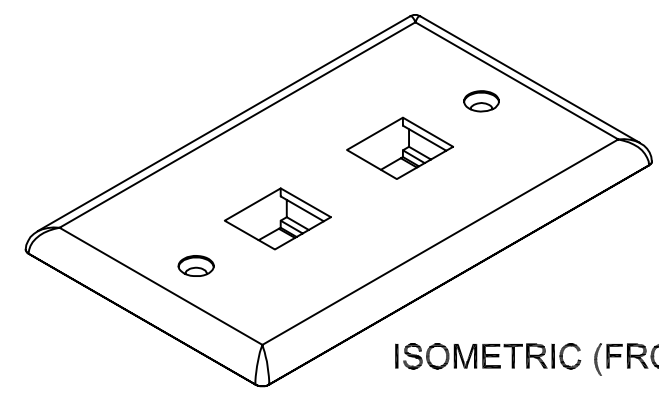
FRONT VIEW



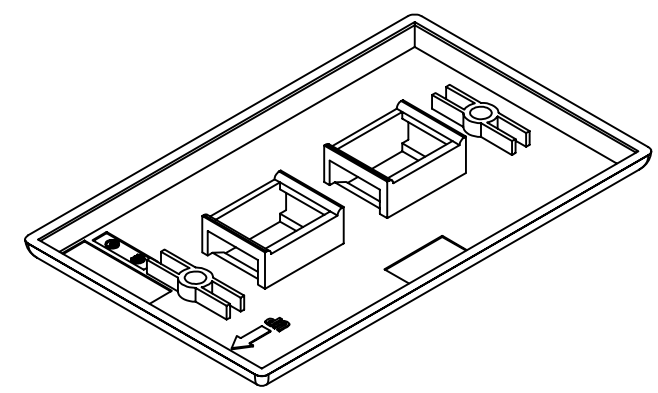
RIGHT SIDE



REAR VIEW



ISOMETRIC (FRONT)



ISOMETRIC (REAR)

NOTES: UNLESS OTHERWISE SPECIFIED.

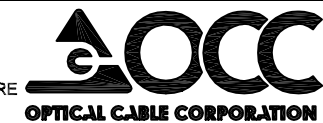
1. FACEPLATE ASSEMBLIES ARE PROVIDED WITH (1 each) HARDWARE KIT.

FPKS0212	ASSY, FACEPLATE, SG, FM, 2 PORT KMJ, STANDARD, BRIGHT WHITE, RESIDENTIAL
FPKS0201	ASSY, FACEPLATE, SG, FM, 2 PORT KMJ, STANDARD, OFFICE WHITE, RESIDENTIAL
FPKS0200	ASSY, FACEPLATE, SG, FM, 2 PORT KMJ, STANDARD, ELEC. IVORY, RESIDENTIAL
OCC PART NO.	DESCRIPTION

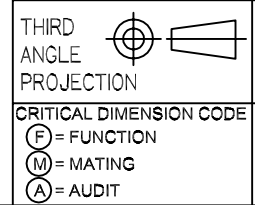
UNCONTROLLED COPY

UNLESS OTHERWISE SPECIFIED DIMENSIONS ARE IN INCHES.
 TOLERANCES: FRACTIONS ±1/32"
 ANGLES ±1/2°
 3 PLACE DECIMALS ±.005"
 2 PLACE DECIMALS ±.01"

THIS DRAWING AND THE DESIGN SHOWN ARE THE PROPERTY OF OPTICAL CABLE CORPORATION AND MAY NOT BE USED AS THE BASIS FOR MANUFACTURE OR SALE WITHOUT SPECIFIC WRITTEN PERMISSION OF OPTICAL CABLE CORPORATION.



33 Superior Way
 Swannanoa, NC 28778
 Phone: 828-298-2260
 Fax: 828-298-2487
 www.occfiber.com



MATERIAL: SEE BILL OF MATERIAL

FINISH: SEE NOTES; FOR COLOR SEE OCC SPEC# 100004

DRAWN	D.A.HOLBERT	DATE	1/26/05
CHECKED	R.B.SMITH	DATE	1/27/05
ENGINEER	J.YANIK	DATE	1/26/05
APPROVED	D.INGLE	DATE	1/27/05
PREVIOUS DWG			
NEXT DWG			

DWG TITLE			
CUSTOMER DRAWING, FACEPLATE ASSY, 2 PORT, KMJ, SG, FM, STD, RESIDENTIAL			
SIZE	DWG NO.	REV	
B	C107131	A	
SCALE:	NONE	SHEET	1 OF 1
FILENAME	C107131A.DFT		