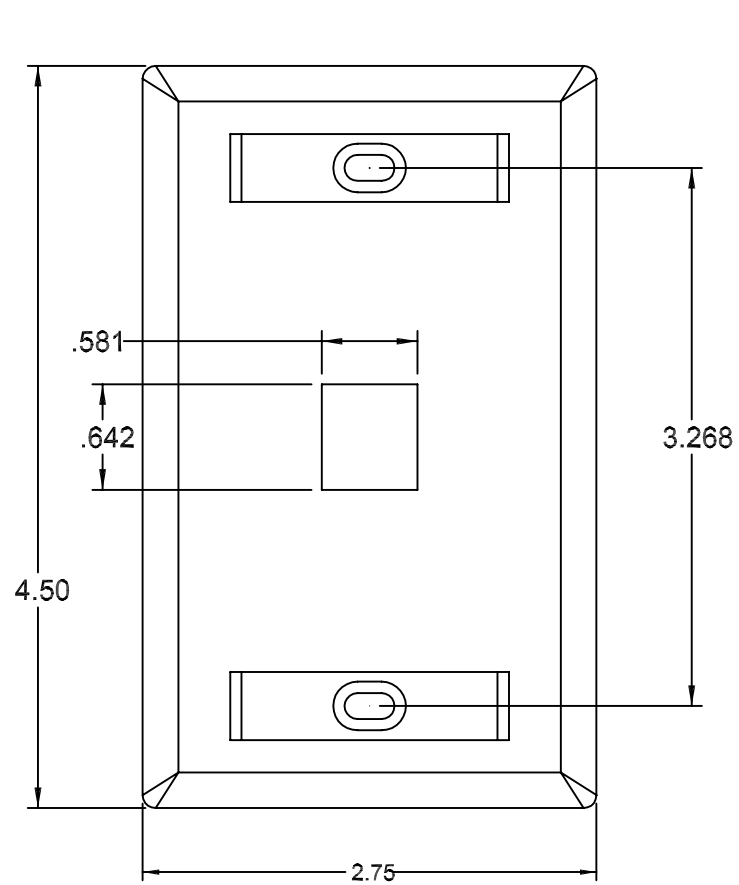
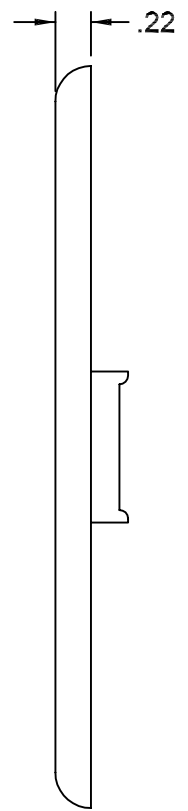


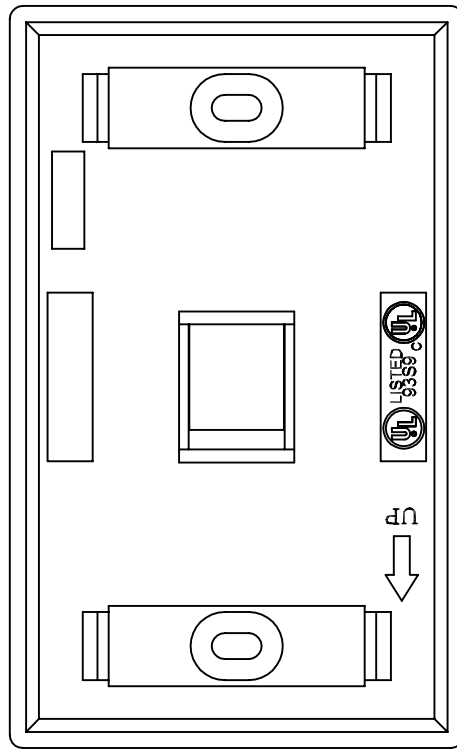
REVISION HISTORY				
REV	SHT	DESCRIPTION	DATE	CHECKED
A	ALL	RELEASE NEW	1/25/05	JS
B	-	ADDED: ISOMETRIC DWG VIEWS	5/16/05	DAH



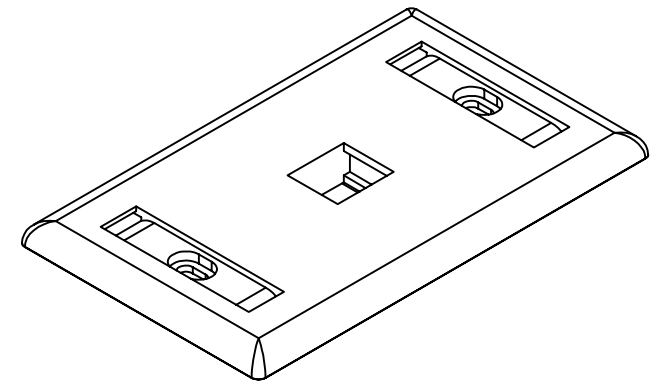
FRONT VIEW



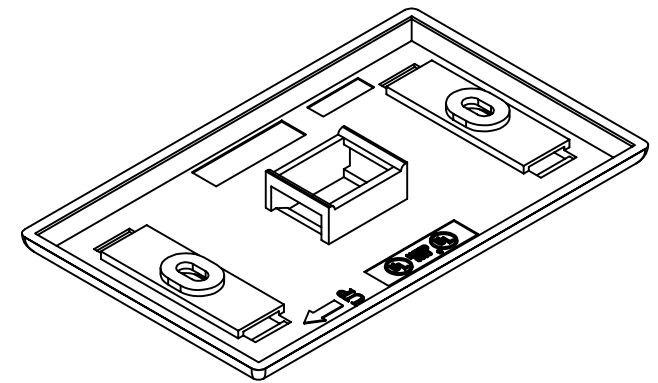
RIGHT SIDE



REAR VIEW



FRONT ISOMETRIC



REAR ISOMETRIC

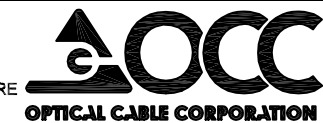
NOTES: UNLESS OTHERWISE SPECIFIED.

1. FACEPLATE ASSEMBLIES ARE PROVIDED WITH (1 each) HARDWARE KIT.

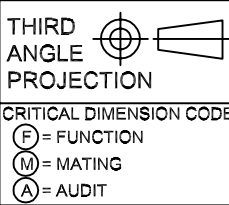
FPSK0112	FACEPLATE ASSY, SG, FM, KMJ X 1 MTG, BRIGHT WHITE, COMMERCIAL
FPSK0101	FACEPLATE ASSY, SG, FM, KMJ X 1 MTG, OFF. WHITE, COMMERCIAL
FPSK0100	FACEPLATE ASSY, SG, FM, KMJ X 1 MTG, ELEC. IVORY, COMMERCIAL
OCC PART NO.	DESCRIPTION

**UNCONTROLLED COPY**

UNLESS OTHERWISE SPECIFIED DIMENSIONS ARE IN INCHES.  
 TOLERANCES: FRACTIONS ±1/32"  
 ANGLES ±1/2°  
 3 PLACE DECIMALS ±.005"  
 2 PLACE DECIMALS ±.01"



33 Superior Way  
 Swannanoa, NC 28778  
 Phone: 828-298-2260  
 Fax: 828-298-2487  
 www.occfiber.com



MATERIAL  
 SEE BILL OF MATERIAL

FINISH  
 SEE NOTES

DRAWN	E.WETLI	DATE	1/25/05
CHECKED	J.SHERRILL	DATE	5/16/06
ENGINEER	J.YANIK	DATE	1/25/05
APPROVED	J.HOWE	DATE	5/16/06
PREVIOUS DWG			
NEXT DWG		FILENAME	C107114B.DFT

DWG TITLE			
CUSTOMER DRAWING, FACEPLATE ASSEMBLY, SNG GANG, FM, KMJ X 1 MTG			
SIZE	DWG NO.	REV	
B	C107114	B	
SCALE:	NONE	SHEET	1 OF 1