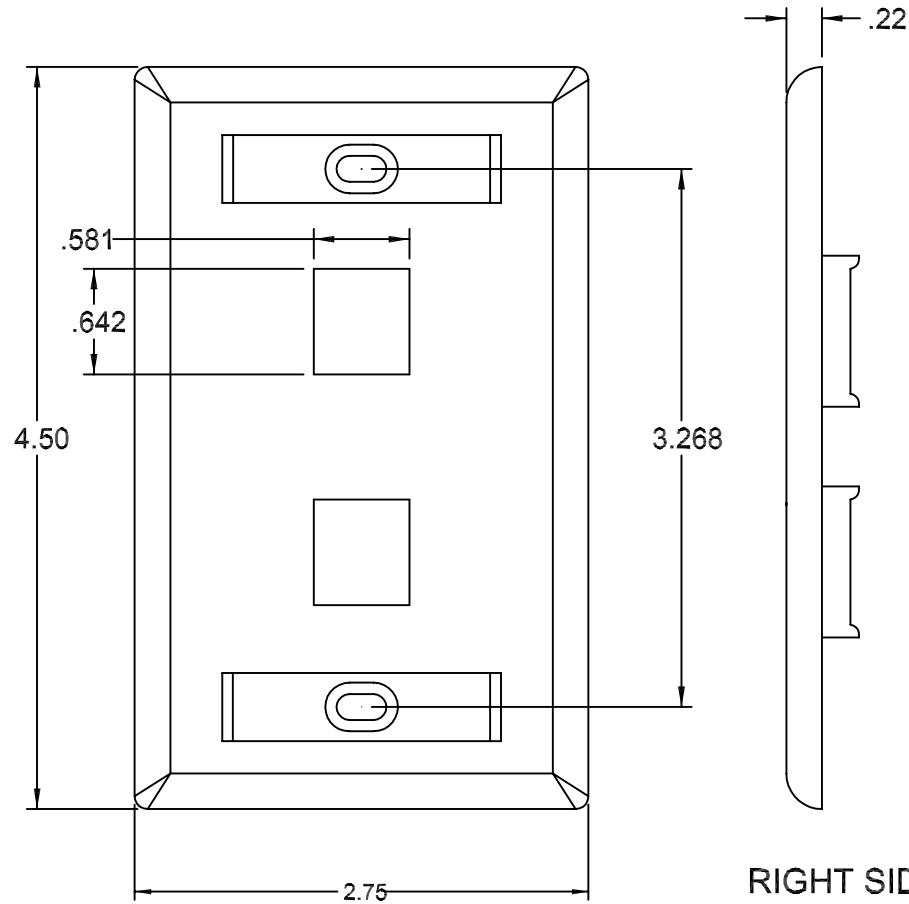
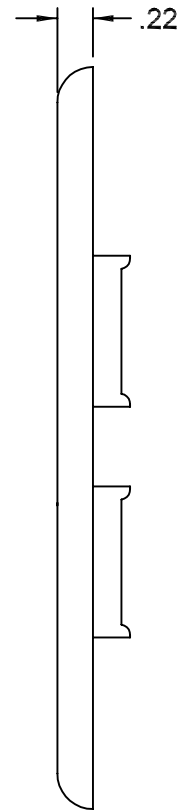


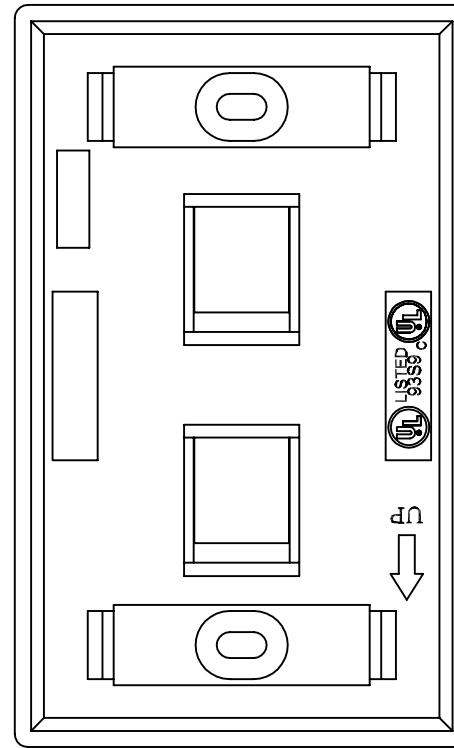
REVISION HISTORY					
REV	SHT	DESCRIPTION	DATE	ECN	CHECKED
A	ALL	RELEASE NEW	1/25/05	NEW	JS
B	-	ADDED: ISOMETRIC DWG VIEWS	5/16/05	NEW	DAH



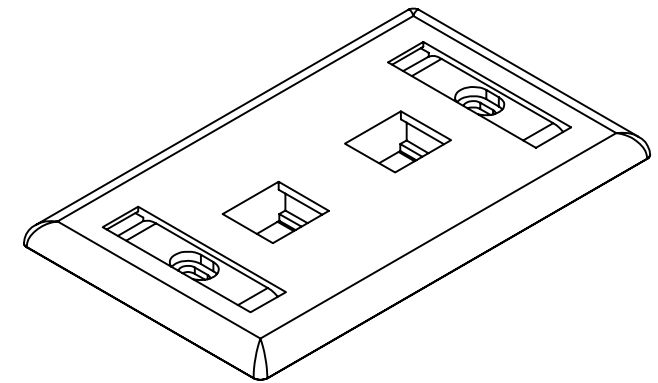
FRONT VIEW



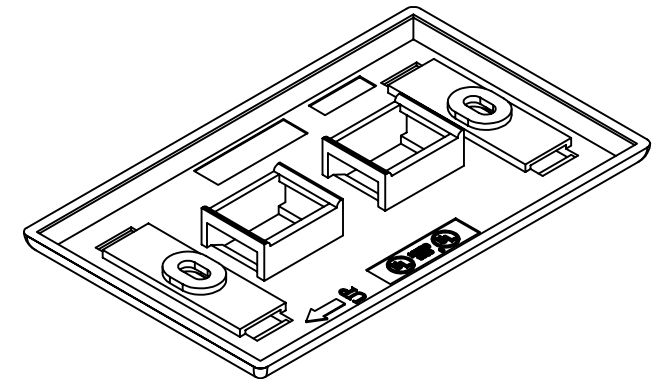
RIGHT SIDE



REAR VIEW



FRONT ISOMETRIC



REAR ISOMETRIC

NOTES: UNLESS OTHERWISE SPECIFIED.

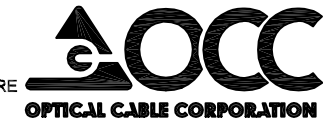
1. FACEPLATE ASSEMBLIES ARE PROVIDED WITH (1 each) HARDWARE KIT.

FPSK0212	FACEPLATE ASSY, SG, FM, KMJ X 2 MTG, BRIGHT WHITE, COMMERCIAL
FPSK0201	FACEPLATE ASSY, SG, FM, KMJ X 2 MTG, OFF. WHITE, COMMERCIAL
FPSK0200	FACEPLATE ASSY, SG, FM, KMJ X 2 MTG, ELEC. IVORY, COMMERCIAL
OCC PART NO.	DESCRIPTION

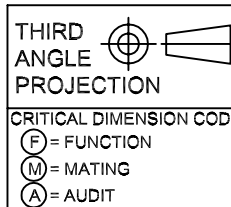
**UNCONTROLLED COPY**

UNLESS OTHERWISE SPECIFIED  
DIMENSIONS ARE IN INCHES.  
TOLERANCES: FRACTIONS  $\pm 1/32"$   
ANGLES  $\pm 1/2^\circ$   
3 PLACE DECIMALS  $\pm .005"$   
2 PLACE DECIMALS  $\pm .01"$

THIS DRAWING AND THE DESIGN SHOWN ARE THE  
PROPERTY OF OPTICAL CABLE CORPORATION AND  
MAY NOT BE USED AS THE BASIS FOR MANUFACTURE  
OR SALE WITHOUT SPECIFIC WRITTEN PERMISSION  
OF OPTICAL CABLE CORPORATION.



33 Superior Way  
Swannanoa, NC 28778  
Phone: 828-298-2260  
Fax: 828-298-2487  
www.occfiber.com



MATERIAL	SEE BILL OF MATERIAL
FINISH	SEE NOTES

DRAWN	E.WETLI	DATE	1/25/05
CHECKED	J.SHERRILL	DATE	5/16/06
ENGINEER	J.YANIK	DATE	1/25/05
APPROVED	J.HOWE	DATE	5/16/06
PREVIOUS DWG			
NEXT DWG		FILENAME	C107115B.DFT

DWG TITLE			
CUSTOMER DRAWING, FACEPLATE ASSEMBLY, SNG GANG, FM, KMJ X 2 MTG			
SIZE	DWG NO.	REV	
B	C107115	B	
SCALE:	NONE	SHEET	1 OF 1