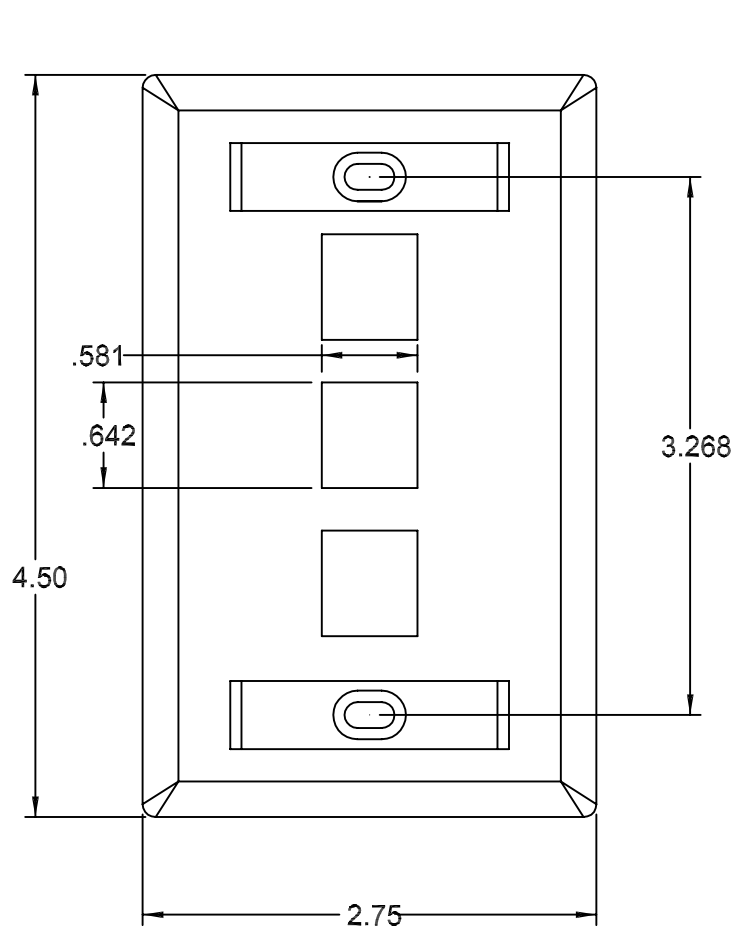
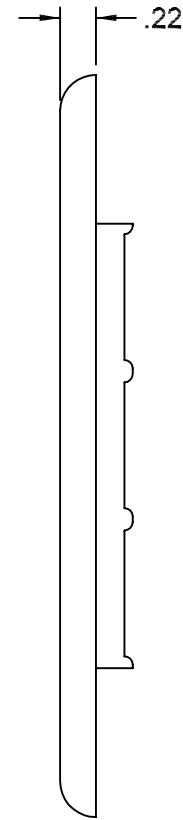


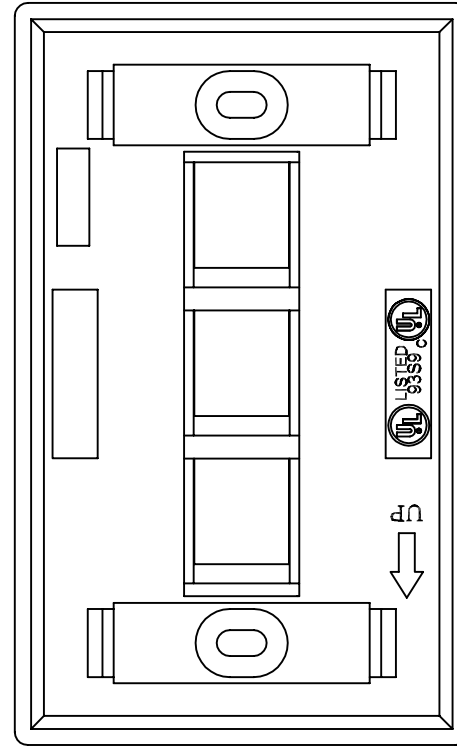
REVISION HISTORY					
REV	SHT	DESCRIPTION	DATE	ECN	CHECKED
A	ALL	RELEASE NEW	1/25/05	NEW	JS
B	-	ADDED: ISOMETRIC DWG VIEWS	5/16/05	NEW	DAH



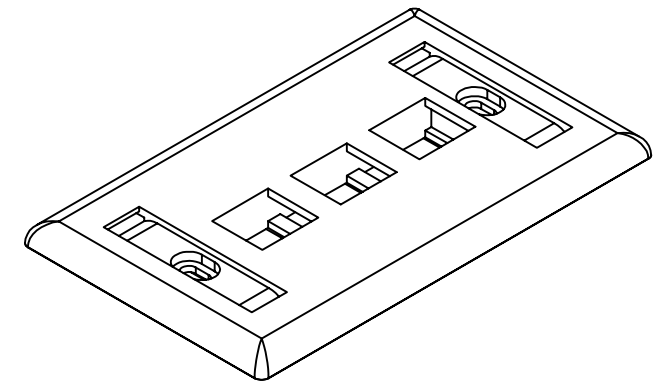
FRONT VIEW



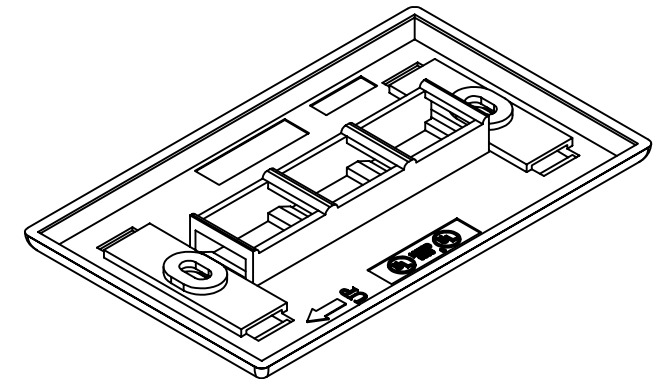
RIGHT SIDE



REAR VIEW



FRONT ISOMETRIC



REAR ISOMETRIC

NOTES: UNLESS OTHERWISE SPECIFIED.

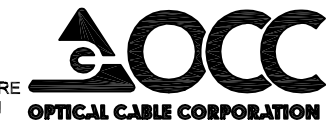
1. FACEPLATE ASSEMBLIES ARE PROVIDED WITH (1 each) HARDWARE KIT.

FPSK0312	FACEPLATE ASSY, SG, FM, KMJ X 3 MTG, BRIGHT WHITE, COMMERCIAL
FPSK0301	FACEPLATE ASSY, SG, FM, KMJ X 3 MTG, OFF. WHITE, COMMERCIAL
FPSK0300	FACEPLATE ASSY, SG, FM, KMJ X 3 MTG, ELEC. IVORY, COMMERCIAL
OCC PART NO.	DESCRIPTION

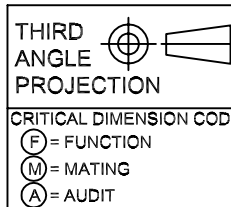
UNCONTROLLED COPY

UNLESS OTHERWISE SPECIFIED DIMENSIONS ARE IN INCHES.
TOLERANCES: FRACTIONS $\pm 1/32"$
ANGLES $\pm 1/2^\circ$
3 PLACE DECIMALS $\pm .005"$
2 PLACE DECIMALS $\pm .01"$

THIS DRAWING AND THE DESIGN SHOWN ARE THE PROPERTY OF OPTICAL CABLE CORPORATION AND MAY NOT BE USED AS THE BASIS FOR MANUFACTURE OR SALE WITHOUT SPECIFIC WRITTEN PERMISSION OF OPTICAL CABLE CORPORATION.



33 Superior Way
Swannanoa, NC 28778
Phone: 828-298-2260
Fax: 828-298-2487
www.occfiber.com



MATERIAL	SEE BILL OF MATERIAL
FINISH	SEE NOTES

DRAWN	E.WETLI	DATE	1/25/05
CHECKED	J.SHERRILL	DATE	5/16/06
ENGINEER	J.YANIK	DATE	1/25/05
APPROVED	J.HOWE	DATE	5/16/06
PREVIOUS DWG			
NEXT DWG			

DWG TITLE			
CUSTOMER DRAWING, FACEPLATE ASSEMBLY, SNG GANG, FM, KMJ X 3 MTG			
SIZE	DWG NO.	REV	
B	C107116	B	
SCALE:	NONE	SHEET	1 OF 1
FILENAME	C107116B.DFT		