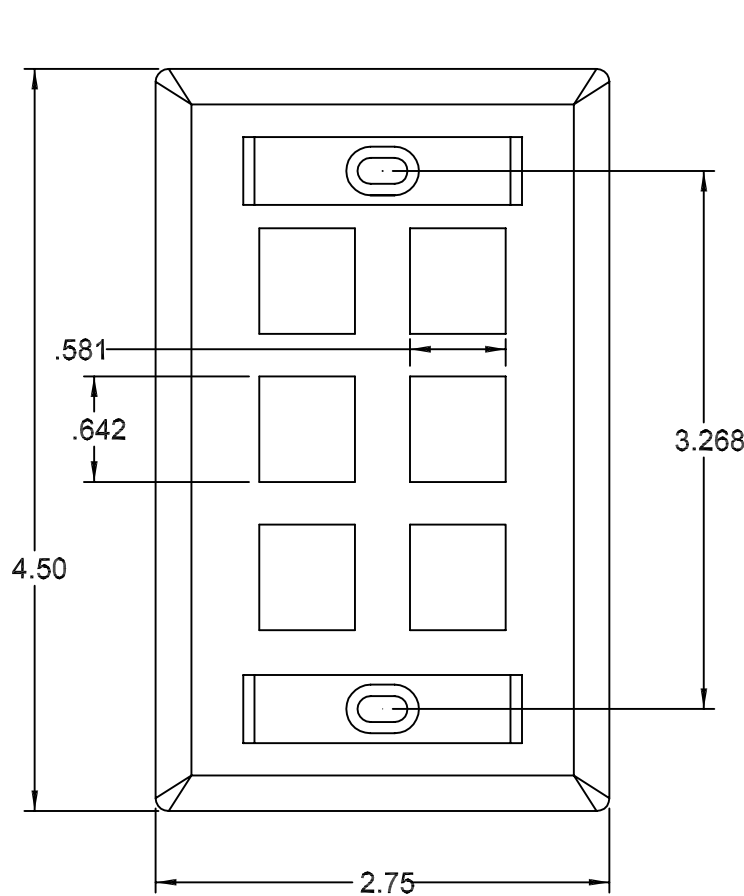
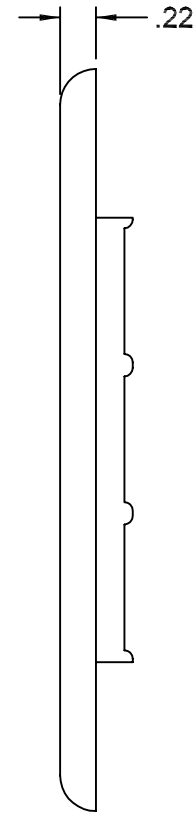


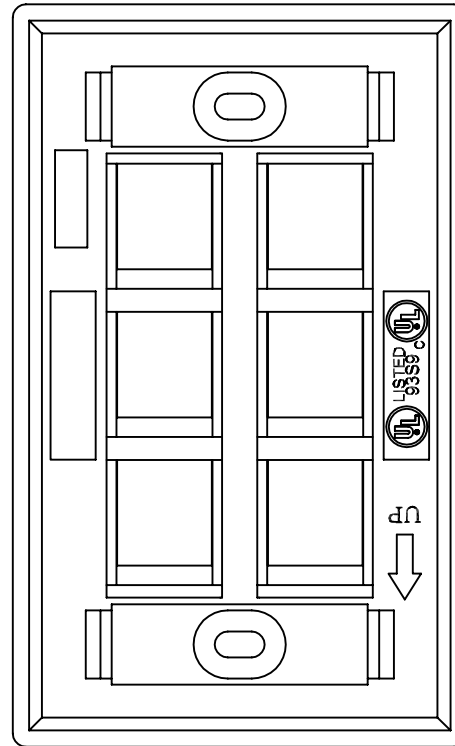
REVISION HISTORY				
REV	SHT	DESCRIPTION	DATE	CHECKED
A	ALL	RELEASE NEW	1/25/05	NEW JS
B	-	ADDED: ISOMETRIC DWG VIEWS	5/16/05	NEW DAH



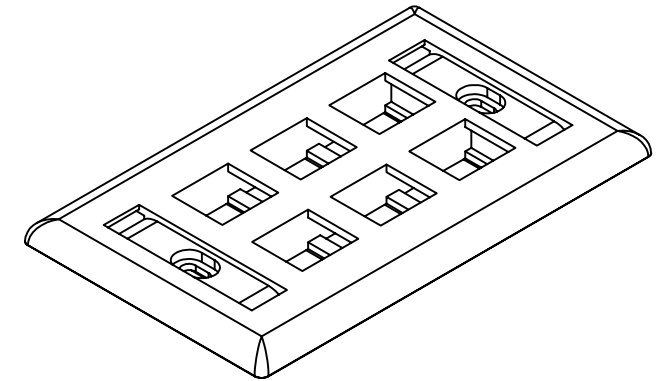
FRONT VIEW



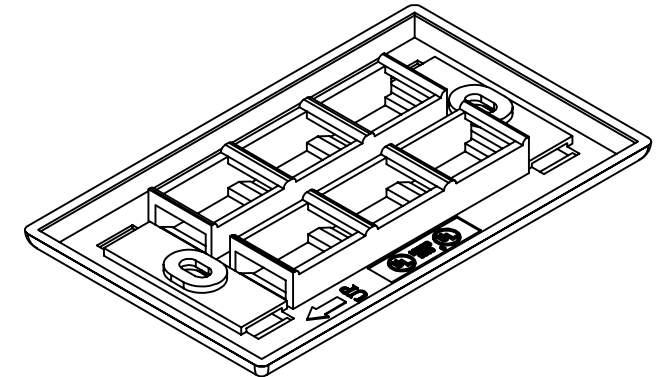
RIGHT SIDE



REAR VIEW



FRONT ISOMETRIC



REAR ISOMETRIC

NOTES: UNLESS OTHERWISE SPECIFIED.

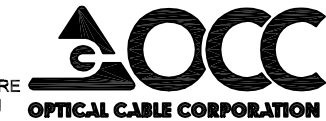
1. FACEPLATE ASSEMBLIES ARE PROVIDED WITH (1 each) HARDWARE KIT.

FPSK0612	FACEPLATE ASSY, SG, FM, KMJ X 6 MTG, BRIGHT WHITE, COMMERCIAL
FPSK0601	FACEPLATE ASSY, SG, FM, KMJ X 6 MTG, OFF. WHITE, COMMERCIAL
FPSK0600	FACEPLATE ASSY, SG, FM, KMJ X 6 MTG, ELEC. IVORY, COMMERCIAL
OCC PART NO.	DESCRIPTION

UNCONTROLLED COPY

UNLESS OTHERWISE SPECIFIED DIMENSIONS ARE IN INCHES.
TOLERANCES: FRACTIONS $\pm 1/32"$
ANGLES $\pm 1/2^\circ$
3 PLACE DECIMALS $\pm .005"$
2 PLACE DECIMALS $\pm .01"$

THIS DRAWING AND THE DESIGN SHOWN ARE THE PROPERTY OF OPTICAL CABLE CORPORATION AND MAY NOT BE USED AS THE BASIS FOR MANUFACTURE OR SALE WITHOUT SPECIFIC WRITTEN PERMISSION OF OPTICAL CABLE CORPORATION.



33 Superior Way
Swannanoa, NC 28778
Phone: 828-298-2260
Fax: 828-298-2487
www.occfiber.com



THIRD ANGLE PROJECTION
CRITICAL DIMENSION CODE
(F) = FUNCTION
(M) = MATING
(A) = AUDIT

MATERIAL
SEE BILL OF MATERIAL
FINISH
SEE NOTES

DRAWN	E.WETLI	DATE	1/25/05
CHECKED	J.SHERRILL	DATE	5/16/06
ENGINEER	J.YANIK	DATE	1/25/05
APPROVED	J.HOWE	DATE	5/16/06
PREVIOUS DWG			
NEXT DWG		FILENAME	C107118B.DFT

DWG TITLE		CUSTOMER DRAWING, FACEPLATE ASSEMBLY, SNG GANG, FM, KMJ X 6 MTG		
SIZE	DWG NO.	REV		
B	C107118	B		
SCALE:	NONE	SHEET	1 OF 1	