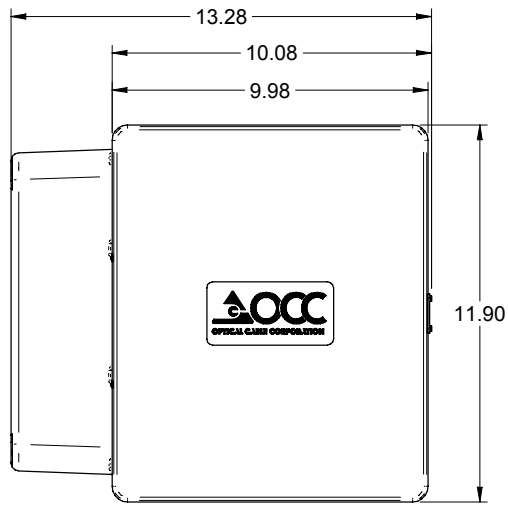
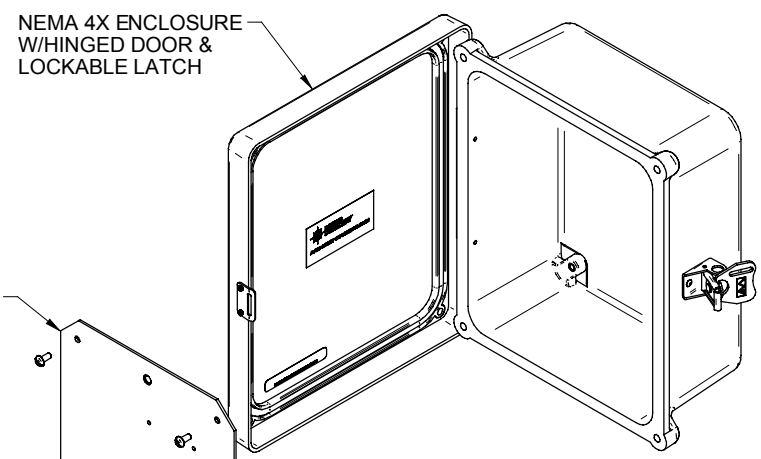
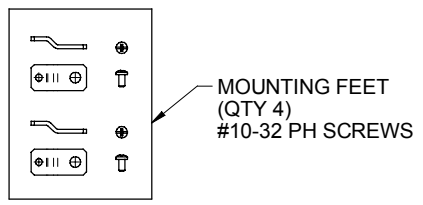
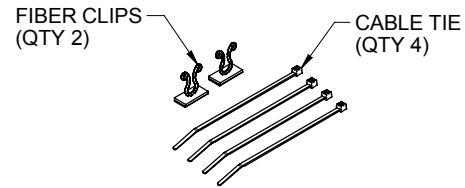


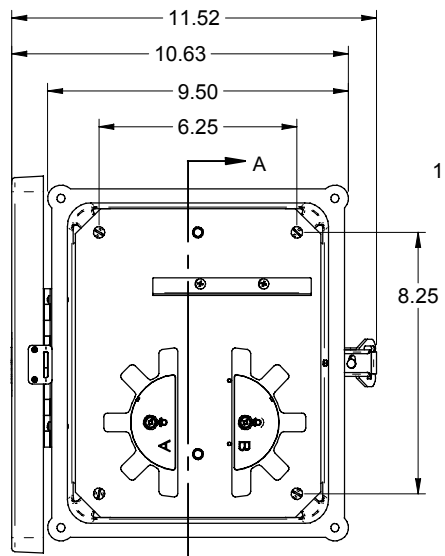
REVISION HISTORY				
REV/SHT	DESCRIPTION	DATE	ECN	CHECKED
A	ALL RELEASE NEW	3/18/10	NEW	JY



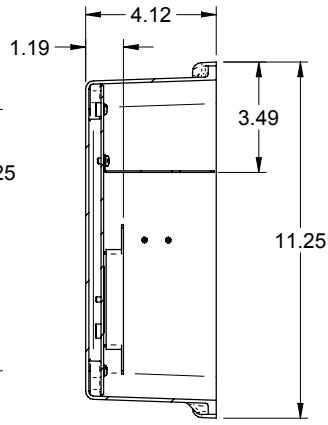
OPENED SIDE VIEW



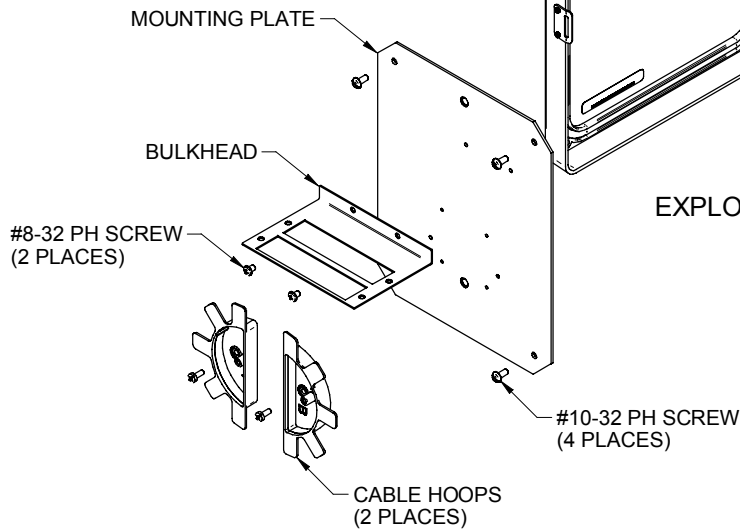
EXPLODED VIEW



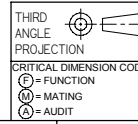
OPENED FRONT VIEW



SECTION A-A



OCO12NX	OUTDOOR ENCL, WALL MOUNT, 12 PORT, FIBER, NEMA 4X						
OCC PART NO.	DESCRIPTION						
<small>UNLESS OTHERWISE SPECIFIED DIMENSIONS ARE IN INCHES. TOLERANCES: FRACTIONS ±1/32" ANGLES ±1/2" 3 PLACE DECIMALS ±.015" 2 PLACE DECIMALS ±.03"</small>							
<small>THIS DRAWING AND THE DESIGN SHOWN ARE THE PROPERTY OF OPTICAL CABLE CORPORATION AND MAY NOT BE USED AS THE BASIS FOR MANUFACTURE OR SALE WITHOUT SPECIFIC WRITTEN PERMISSION OF OPTICAL CABLE CORPORATION.</small>							
DRAWN D.A.HOLBERT DATE 3/18/10							
MATERIAL	CHECKED J.YANIK DATE 5/20/10						
SEE BILL OF MATERIAL	ENGINEER S.SEO DATE 3/18/10						
FINISH	APPROVED R.B.SMITH DATE 5/20/10						
SEE NOTES	PREVIOUS DWG						
NEXT DWG	FILENAME C110069A.dft						
<table border="1"> <tr> <td>SIZE</td> <td>DWG NO.</td> <td>REV</td> </tr> <tr> <td>C</td> <td>C110069</td> <td>A</td> </tr> </table>		SIZE	DWG NO.	REV	C	C110069	A
SIZE	DWG NO.	REV					
C	C110069	A					
<table border="1"> <tr> <td>SCALE:</td> <td>SHEET</td> </tr> <tr> <td>NONE</td> <td>1 OF 1</td> </tr> </table>		SCALE:	SHEET	NONE	1 OF 1		
SCALE:	SHEET						
NONE	1 OF 1						



UNCONTROLLED COPY