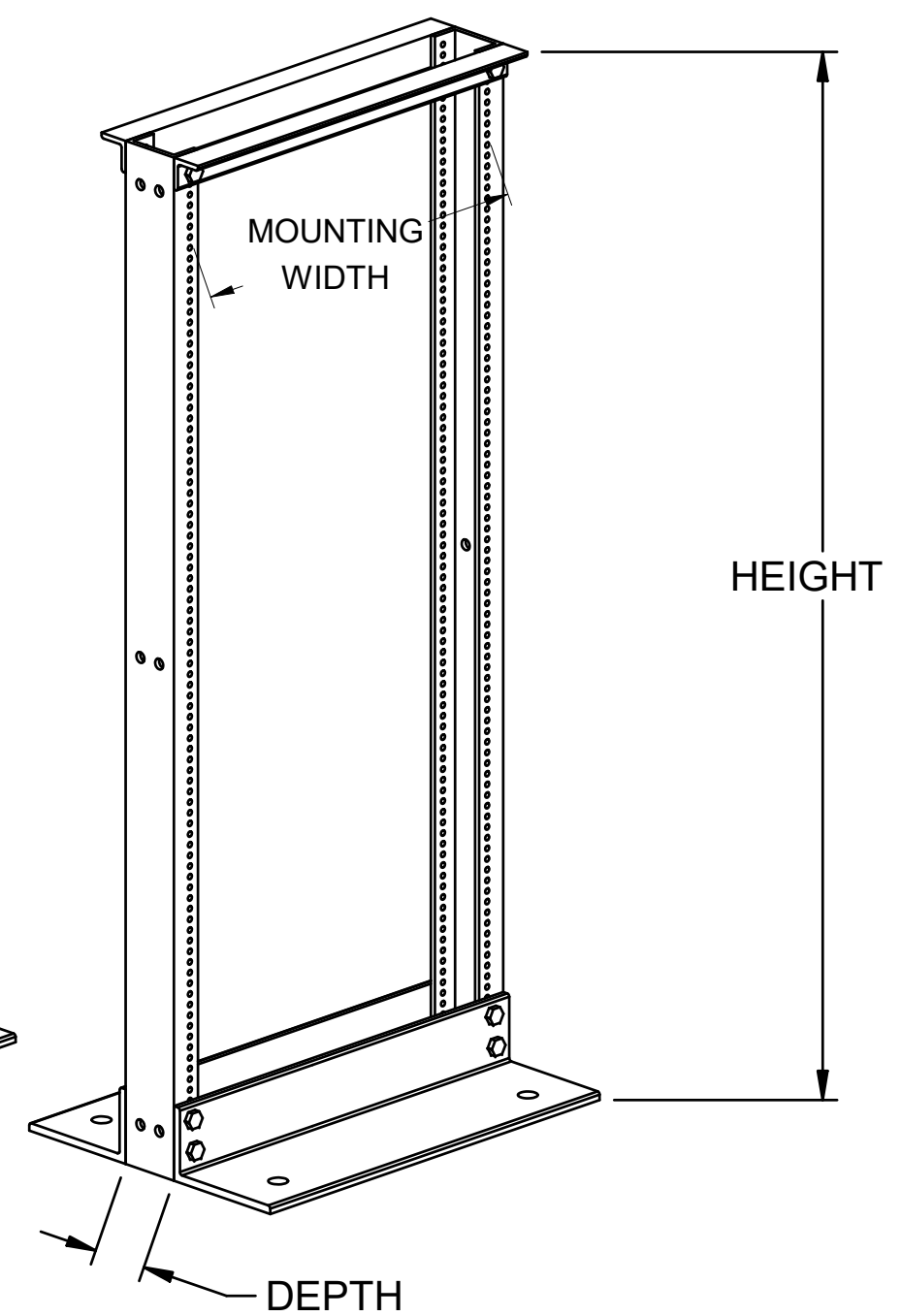
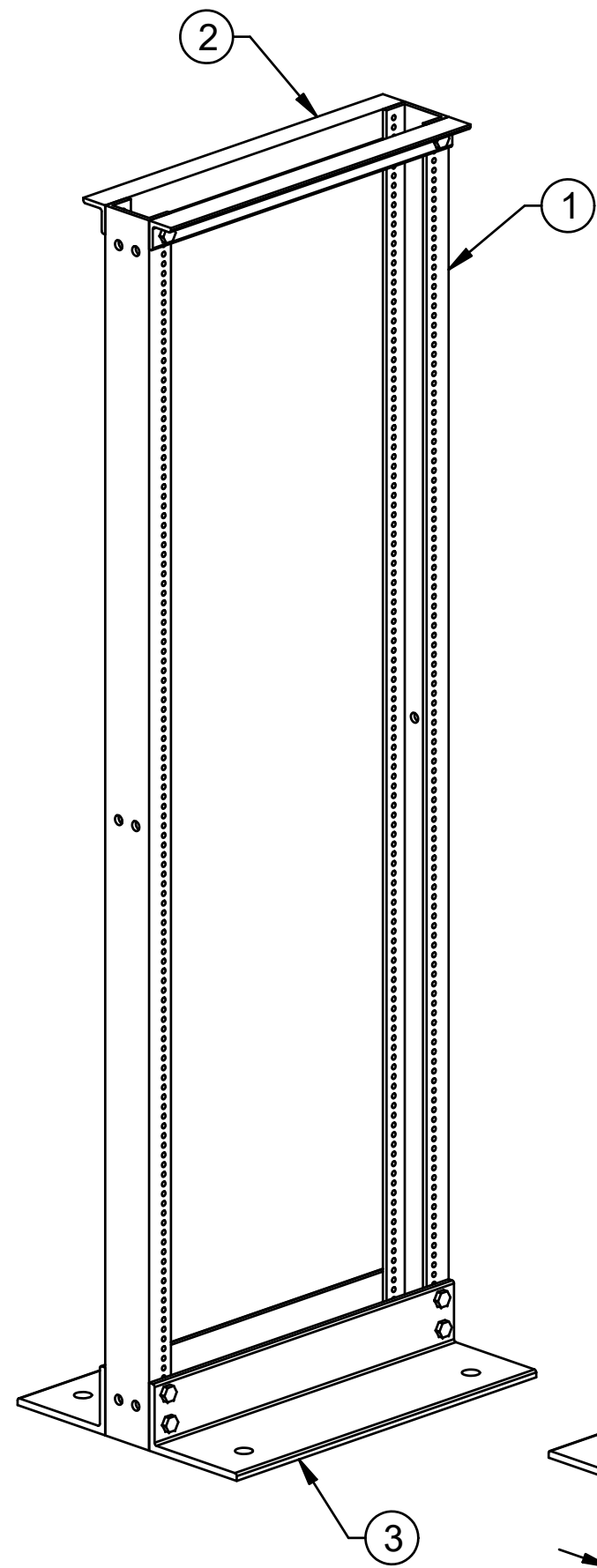
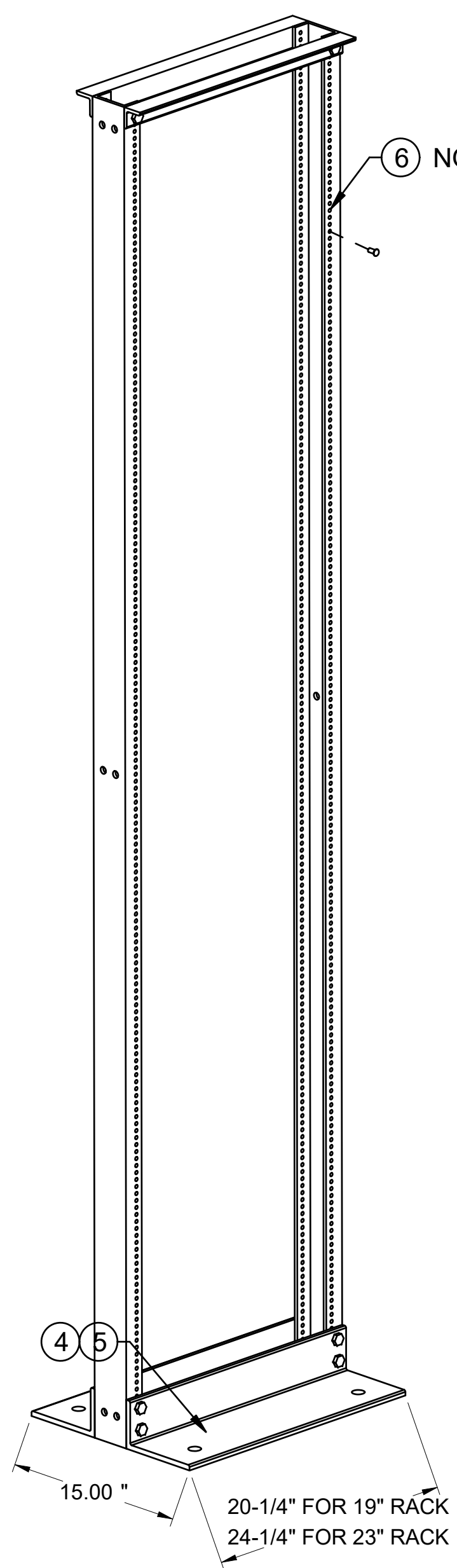


REVISION HISTORY					
REV	SHT	DESCRIPTION	DATE	ECN	CHECKED
A	ALL	RELEASE NEW	9/27/05	NEW	DAH

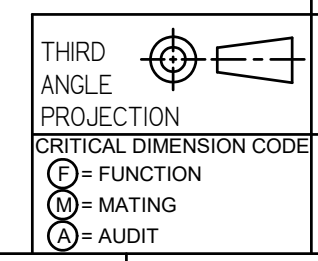
RACKTECH PART NO.	ASM DWG NO.	HEIGHT	DEPTH	RACK UNITS (RU)	COLOR	MOUNTING WIDTH
OF3605	30000116	68.25"	3"	36 RU	BLACK	23"
OF3604	30000115	68.25"	3"	36 RU	SILVER	23"
OF5105	30000114	96"	3"	51 RU	BLACK	23"
OF5104	30000113	96"	3"	51 RU	SILVER	23"
OF5103	30000112	96"	3"	51 RU	BLACK	19"
OF5102	30000111	96"	3"	51 RU	SILVER	19"
OF4505	30000110	84"	3"	45 RU	BLACK	23"
OF4504	30000109	84"	3"	45 RU	SILVER	23"
OF4503	30000108	84"	3"	45 RU	BLACK	19"
OF4502	30000107	84"	3"	45 RU	SILVER	19"
OF3603	30000106	68.25"	3"	36 RU	BLACK	19"
OF3602	30000105	68.25"	3"	36 RU	SILVER	19"
OF2405	30000104	48"	3"	24 RU	BLACK	23"
OF2404	30000103	48"	3"	24 RU	SILVER	23"
OF2403	30000102	48"	3"	24 RU	BLACK	19"
OF2402	30000101	48"	3"	24 RU	SILVER	19"



ITEM NO.	COMPONENT DESCRIPTION	QTY
1	3" VERTICAL CHANNEL .175" ALUM. 5 AWG	2
2	1.5" X 1.5" TOP ANGLE .196" ALUM. 4 AWG	2
3	3.5" X 6" BASE ANGLE .25" THICK ALUM.	2
4	3/8" X 3/4" NUT/BOLT SET	12
5	3/8" LOCKWASHER	12
6	#12-24 X 1/2" MACHINE SCREWS	50

NOTES: UNLESS OTHERWISE SPECIFIED.

- APPROVED SUPPLIER:  
PER APPROVAL OF OCC ENGINEERING/PRODUCT MANAGER.
- PRODUCT APPROVAL REQUIRES CERTIFICATION OF COMPLIANCE  
TO E.U. RoHS DIRECTIVE 2002/95/EC
- OPEN-FRAME RACK, TAPPED FOR #12-24 SCREWS.



UNLESS OTHERWISE SPECIFIED DIMENSIONS ARE IN INCHES.  
 TOLERANCES:  
 FRACTIONS ±1/32"  
 ANGLES ±1/2°  
 3 PLACE DECIMALS ±.005"  
 2 PLACE DECIMALS ±.01"

MATERIAL VARIOUS

FINISH ALUMINUM (SILVER) OR PAINTED: BLACK POWDERCOAT WRINKLE PER SMP SPEC 10002512

DRAWN	E.WETLI	DATE	9/27/05
CHECKED	D.A.HOLBERT	DATE	11/13/07
ENGINEER	J.YANIK	DATE	9/27/05
APPROVED		DATE	
PREVIOUS DWG			
NEXT DWG			

33 Superior Way  
 Swannanoa, NC 28778  
 Phone: 828-298-2260  
 Fax: 828-298-2487  
 www.occfiber.com

**OPTICAL CABLE CORPORATION**

DWG TITLE: **RACK, CABLE MGMT, OPEN-FRAME RELAY**

SIZE: **C** DWG NO.: **300001** REV: **A**

SCALE: NONE SHEET: 1 OF 1