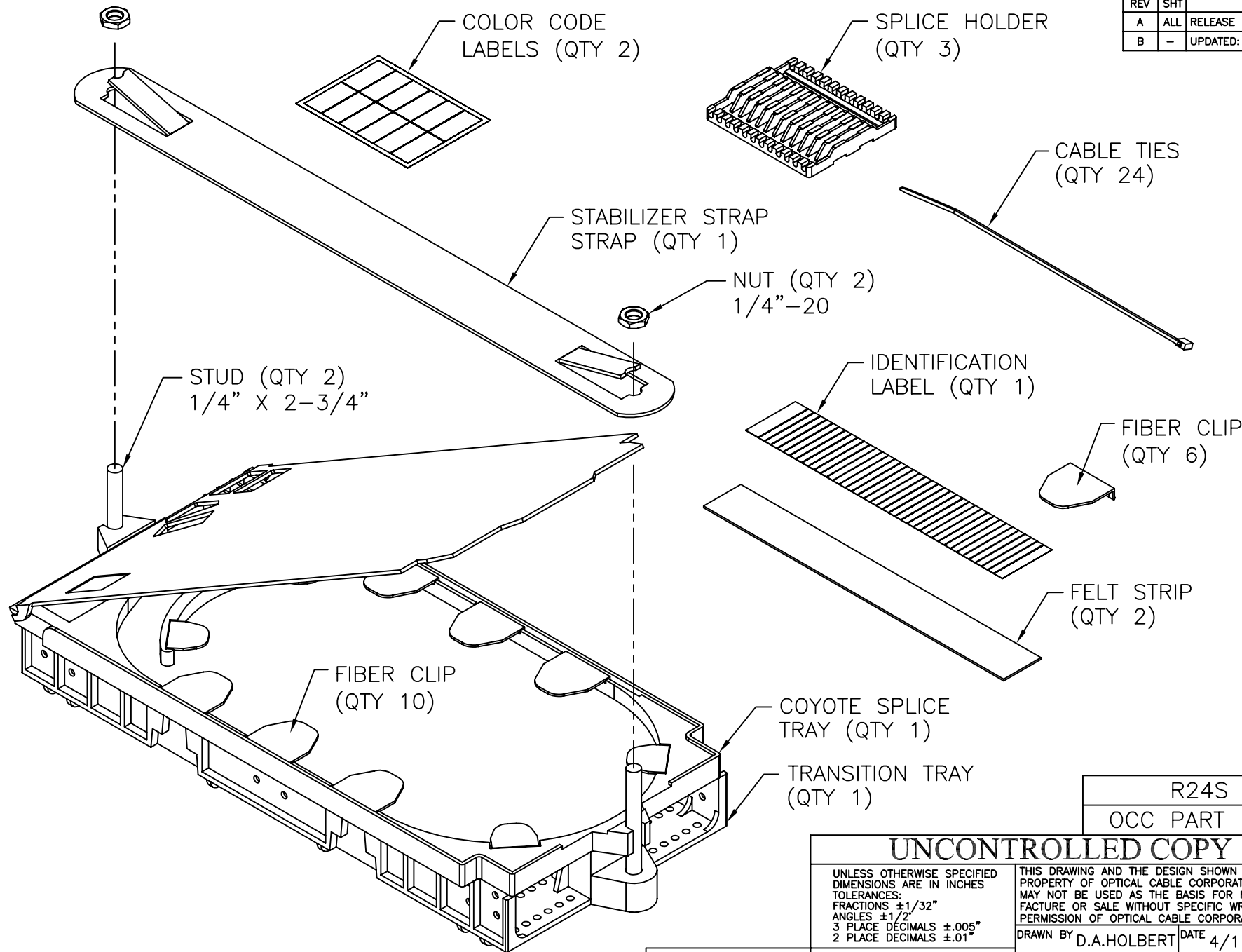
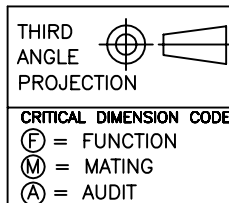


REV		SHT	DESCRIPTION	DATE	ECN	CHECKED
A	ALL		RELEASE NEW	4/11/02	NEW	RBS
B	-		UPDATED: DRAWING VIEWS	4/21/03	-	DAH

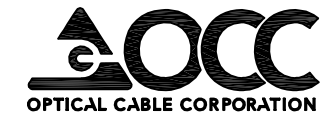


NOTES: UNLESS OTHERWISE SPECIFIED.
 1. SPLICE TRAY SUPPLIED WITH PARTS, AS SHOWN.



UNCONTROLLED COPY	
UNLESS OTHERWISE SPECIFIED DIMENSIONS ARE IN INCHES TOLERANCES: FRACTIONS ±1/32" ANGLES ±1/2" 3 PLACE DECIMALS ±.005" 2 PLACE DECIMALS ±.01"	THIS DRAWING AND THE DESIGN SHOWN ARE THE PROPERTY OF OPTICAL CABLE CORPORATION AND MAY NOT BE USED AS THE BASIS FOR MANUFACTURE OR SALE WITHOUT SPECIFIC WRITTEN PERMISSION OF OPTICAL CABLE CORPORATION.
MATERIAL SEE BILL OF MATERIAL	DRAWN BY D.A.HOLBERT DATE 4/11/02
FINISH SEE NOTES	CHECKED BY R.B.SMITH DATE 4/16/02
	ENGINEER J.YANIK DATE 4/11/02
	APPROVED H.JOHNSON DATE 3/8/10
	PREVIOUS DWG
	NEXT DWG

R24S	SPLICING KIT, RTC18
OCC PART NO.	DESCRIPTION



5290 Concourse Drive
 Roanoke, VA 24019
 Phone: 800-622-7711
 Fax: 540-265-0724
 www.occfiber.com

DWG TITLE		SPLICING KIT, R24S	
SIZE	DWG NO.	REV	
B	C10123602	B	
SCALE	NONE	SHEET	1 OF 1
FILENAME	C10123602B.DWG		