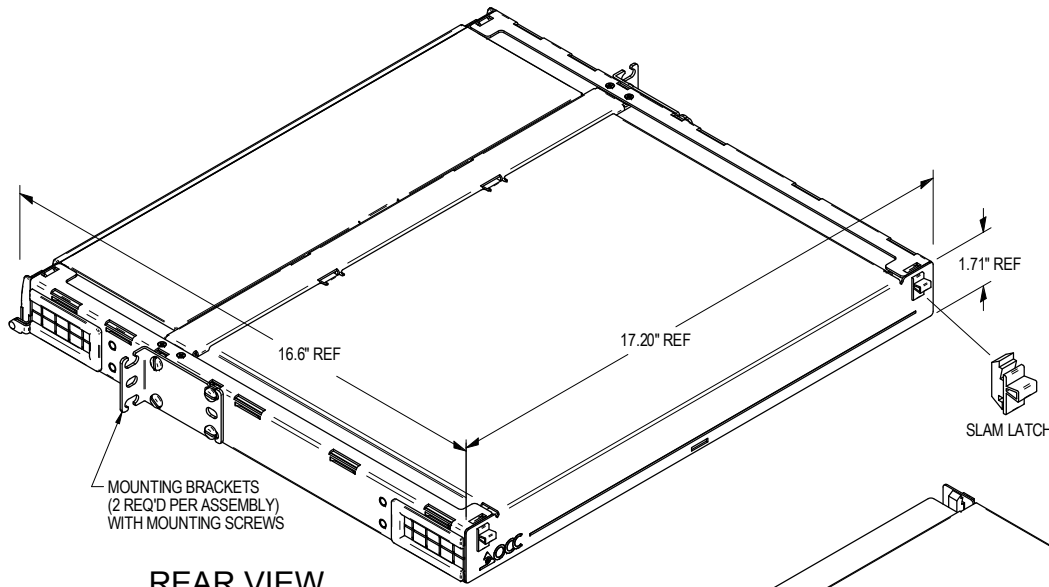


REVISION HISTORY		DATE	ECN	CHECKED
REV/SHT	DESCRIPTION			
A	ALL RELEASE NEW	1/14/14	NEW	JH

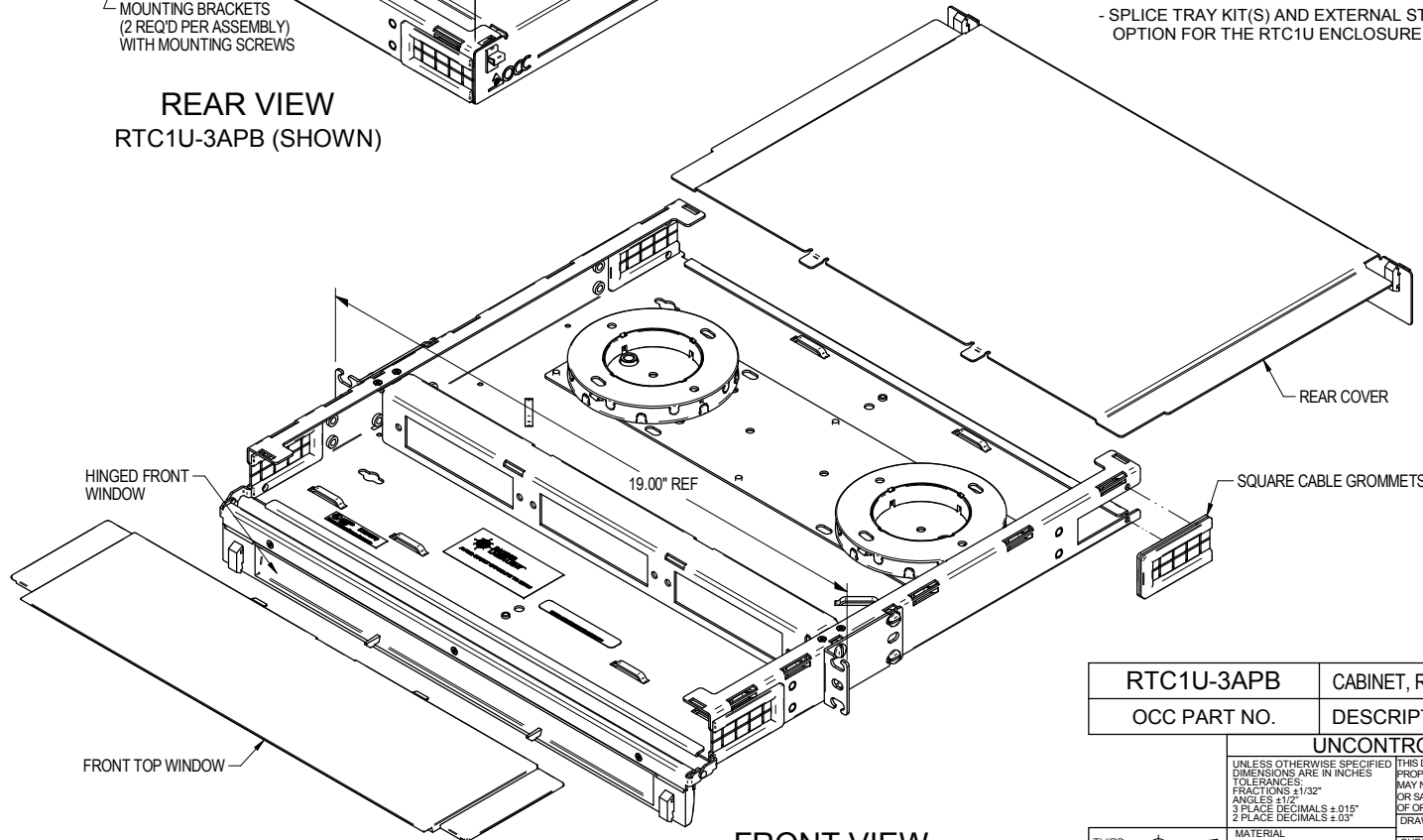
SPECIFICATIONS

FEATURES & BENEFITS:

- OPTICAL CABLE CORPORATION'S, RTC1U SERIES LOW PROFILE FIBER OPTIC CROSS CONNECT ENCLOSURES PROVIDE FIBER MANAGEMENT, CONNECTIVITY, AND DISTRIBUTION FOR 6-36 FIBERS. ACCOMMODATES ALL CROSS CONNECT FUNCTIONS (SPLICING, TERMINATION, AND INTERCONNECTION) FOR OUTSIDE PLANT, BACKBONE, AND BUILDING CABLES.
- ACCOMMODATES OCC 600 SERIES SNAP-IN ADAPTER PLATES. RTC1U ENCLOSURE PORT COUNT IS BASED UPON THE PORT DENSITY OF THE ADAPTER PLATES. ADAPTER PLATES ORDERED SEPARATELY.
- RTC1U ENCLOSURES PROVIDE INNOVATIVE FIBER ORGANIZATION UTILIZING STACKABLE FIBER HOOPS DESIGNED TO MAINTAIN ORDERLY FIBER MANAGEMENT AND ALLOW FOR GREATER SEGREGATION OF INCOMING FIBER CABLES
- PLASTIC GROMMETS PROVIDE RELIABLE CABLE PROTECTION AT ALL CABLE ENTRANCES AND EXITS.
- RUGGED 16-GAUGE STEEL CONSTRUCTION WITH A DURABLE POWDER COAT FINISH. RTC1U DRAWER COLOR: B = BLACK
- HINGED TRANSPARENT COVER ALLOWS FOR VISUAL INSPECTION OF PORTS AND DEFINED LABELING FIELD PROVIDED FOR TIA 606A COMPLIANCE.
- STANDARD UNIVERSAL MOUNTING BRACKETS INCLUDED TO FIT 19" AND 23" RACKS OR CABINETS. OPTIONAL RECESS BRACKETS ARE AVAILABLE TO ALLOW RTC1U ENCLOSURES TO FIT FLUSH WITH RACK
- ALL PLASTIC COMPONENTS ARE HIGH-IMPACT SELF-EXTINGUISHING, UL LISTED RATING 94 V-0.
- SPLICE TRAY KIT(S) AND EXTERNAL STRAIN RELIEF BRACKETS MAY BE ORDERED SEPARATELY AS AN OPTION FOR THE RTC1U ENCLOSURE.



REAR VIEW
RTC1U-3APB (SHOWN)



FRONT VIEW
(TOP WINDOW REMOVED FOR CLARITY)
RTC1U-3APB (SHOWN)

UNCONTROLLED COPY

"OPTICAL CABLE CORPORATION (OCC) RESERVES THE RIGHT TO REVISE ANY RACK CABINET SPECIFICATIONS."

RTC1U-3APB		CABINET, RACK MNT, RTC, 1 UNIT, 3 ADAPTER PLATES, BLACK	
OCC PART NO.		DESCRIPTION	
UNCONTROLLED COPY			
UNLESS OTHERWISE SPECIFIED DIMENSIONS ARE IN INCHES TOLERANCES: FRACTIONS ±1/32" ANGLES ±1/2° 3 PLACE DECIMALS ±.015" 2 PLACE DECIMALS ±.03"		THIS DRAWING AND THE DESIGN SHOWN ARE THE PROPERTY OF OPTICAL CABLE CORPORATION AND MAY NOT BE USED AS THE BASIS FOR MANUFACTURE OR SALE WITHOUT SPECIFIC WRITTEN PERMISSION OF OPTICAL CABLE CORPORATION.	
MATERIAL SEE BILL OF MATERIAL	FINISH SEE NOTES	DRAWN D.A.HOLBERT DATE 1/14/14	CHECKED S.PORACH DATE 1/24/14
THIRD ANGLE PROJECTION	CRITICAL DIMENSION CODE ⊕ = FUNCTION ⊗ = MATING ⊙ = AUDIT	ENGINEER J.YANIK DATE 1/14/14	APPROVED J.HOWE DATE 1/24/14
PREVIOUS DWG		FILENAME C111656S1A.dft	SCALE: NONE
NEXT DWG		SIZE C	DWG NO. C111656
		DWG TITLE CUSTOMER DRAWING, CABINET ASSEMBLY, RTC1U, RACK MNT SLIDING, 3 PLATES	
		REV A	
		SHEET 1 OF 2	

A