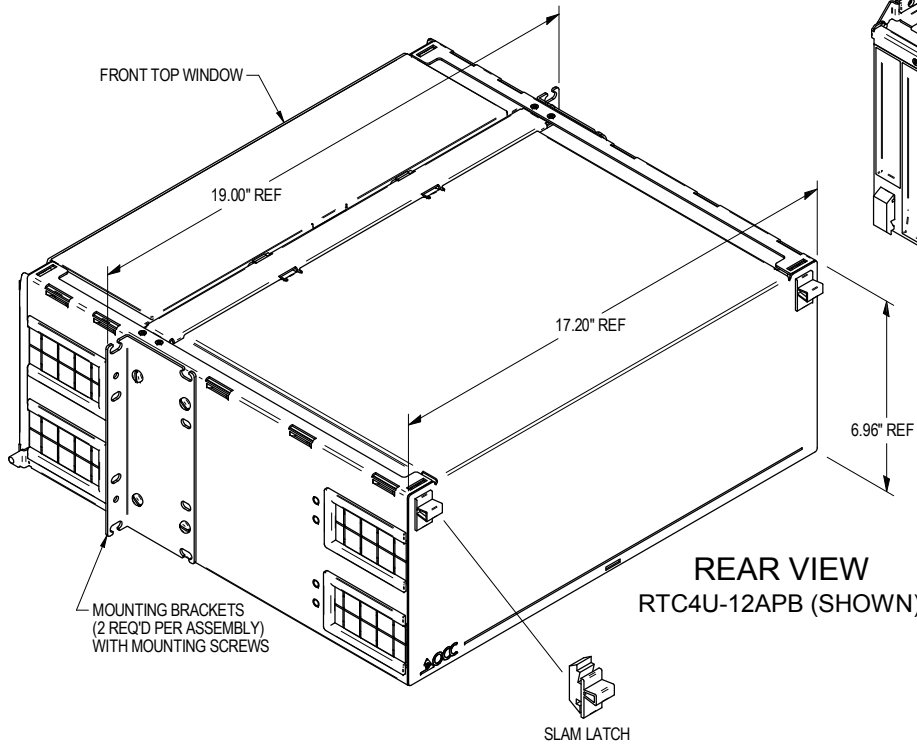


# SPECIFICATIONS

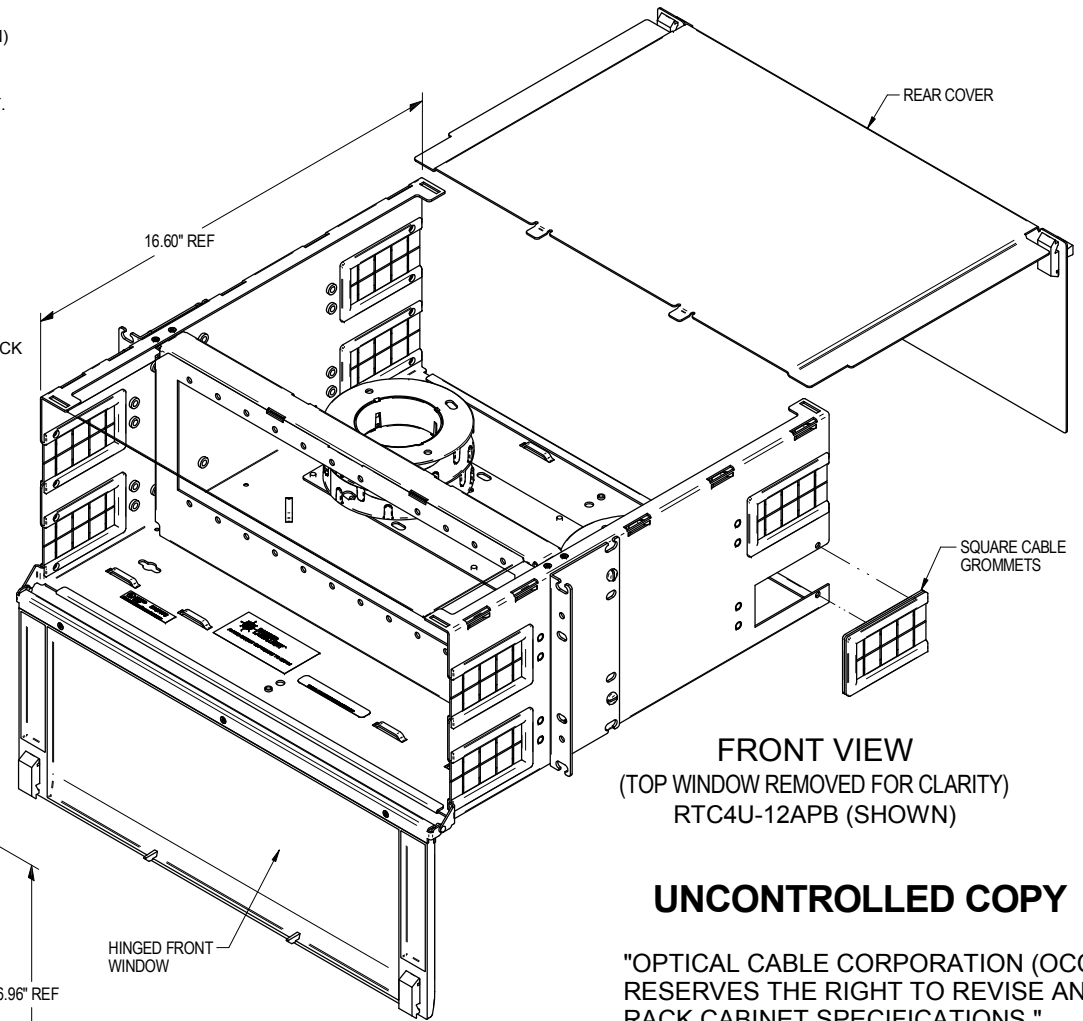
## FEATURES & BENEFITS:

- OPTICAL CABLE CORPORATION'S, RTC4U SERIES LOW PROFILE FIBER OPTIC CROSS CONNECT ENCLOSURES PROVIDE FIBER MANAGEMENT, CONNECTIVITY, AND DISTRIBUTION FOR 6-144 FIBERS. ACCOMMODATES ALL CROSS CONNECT FUNCTIONS (SPLICING, TERMINATION, AND INTERCONNECTION) FOR OUTSIDE PLANT, BACKBONE, AND BUILDING CABLES.
- ACCOMMODATES OCC 600 SERIES SNAP-IN ADAPTER PLATES. RTC4U ENCLOSURE PORT COUNT IS BASED UPON THE PORT DENSITY OF THE ADAPTER PLATES. ADAPTER PLATES ORDERED SEPARATELY.
- RTC4U ENCLOSURES PROVIDE INNOVATIVE FIBER ORGANIZATION UTILIZING STACKABLE FIBER HOOPS DESIGNED TO MAINTAIN ORDERLY FIBER MANAGEMENT AND ALLOW FOR GREATER SEGREGATION OF INCOMING FIBER CABLES
- PLASTIC GROMMETS PROVIDE RELIABLE CABLE PROTECTION AT ALL CABLE ENTRANCES AND EXITS.
- RUGGED 16-GAUGE STEEL CONSTRUCTION WITH A DURABLE POWDER COAT FINISH. RTC4U DRAWER COLOR: B = BLACK
- HINGED TRANSPARENT COVER ALLOWS FOR VISUAL INSPECTION OF PORTS AND DEFINED LABELING FIELD PROVIDED FOR TIA 606A COMPLIANCE.
- STANDARD UNIVERSAL MOUNTING BRACKETS INCLUDED TO FIT 19" AND 23" RACKS OR CABINETS. OPTIONAL RECESS BRACKETS ARE AVAILABLE TO ALLOW RTC4U ENCLOSURES TO FIT FLUSH WITH RACK
- ALL PLASTIC COMPONENTS ARE HIGH-IMPACT SELF-EXTINGUISHING, UL LISTED RATING 94 V-0.
- SPLICE TRAY KIT(S) AND EXTERNAL STRAIN RELIEF BRACKETS MAY BE ORDERED SEPARATELY AS AN OPTION FOR THE RTC4U ENCLOSURE.

REVISION HISTORY				
REV/SHT	DESCRIPTION	DATE	ECN	CHECKED
A	ALL RELEASE NEW	1/14/14	NEW	JH



**REAR VIEW**  
RTC4U-12APB (SHOWN)



**FRONT VIEW**  
(TOP WINDOW REMOVED FOR CLARITY)  
RTC4U-12APB (SHOWN)

**UNCONTROLLED COPY**

"OPTICAL CABLE CORPORATION (OCC) RESERVES THE RIGHT TO REVISE ANY RACK CABINET SPECIFICATIONS."

<b>RTC4U-12APB</b>		<b>CABINET, RACK MNT, RTC, 4 UNIT, 12 ADAPTER PLATES, BLACK</b>		
<b>OCC PART NO.</b>		<b>DESCRIPTION</b>		
<b>UNCONTROLLED COPY</b>				
<small>UNLESS OTHERWISE SPECIFIED THIS DRAWING AND THE DESIGN SHOWN ARE THE PROPERTY OF OPTICAL CABLE CORPORATION AND MAY NOT BE USED AS THE BASIS FOR MANUFACTURE OR SALE WITHOUT SPECIFIC WRITTEN PERMISSION OF OPTICAL CABLE CORPORATION.</small>		<small>33 Superior Way Swannanoa, NC 28778 Phone: 828-298-2260 Fax: 828-298-2487 www.occfiber.com</small>		
<small>TOLERANCES: FRACTIONS ±1/32" ANGLES ±1/2° 3 PLACE DECIMALS ±.015" 2 PLACE DECIMALS ±.03"</small>		<small>DRAWN D.A.HOLBERT DATE 1/14/14</small>		
<small>MATERIAL SEE BILL OF MATERIAL</small>		<small>CHECKED S.PORACH DATE 1/28/14</small>		
<small>THIRD ANGLE PROJECTION</small>		<small>ENGINEER J.YANIK DATE 1/14/14</small>		
<small>CRITICAL DIMENSION CODE</small>		<small>APPROVED J.HOWE DATE 1/28/14</small>		
<small>Ⓢ = FUNCTION</small>		<small>PREVIOUS DWG</small>		
<small>Ⓜ = MATING</small>		<small>FILENAME C111658S1A.dft</small>		
<small>ⓐ = AUDIT</small>		<small>SCALE: NONE SHEET 1 OF 2</small>		
		<small>DWG TITLE: CUSTOMER DRAWING, CABINET ASSEMBLY, RTC4U, RACK MNT SLIDING, 12 PLATES</small>		
		<small>SIZE C DWG NO. <b>C111658</b> REV A</small>		