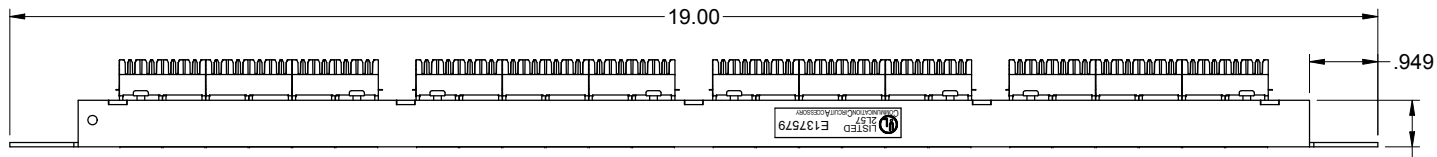
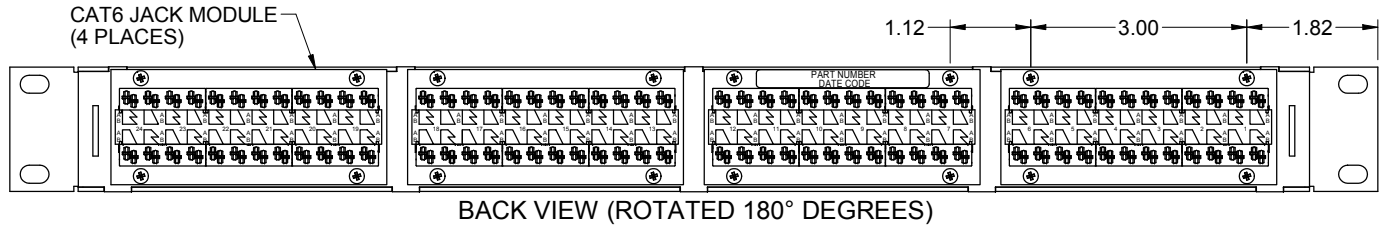
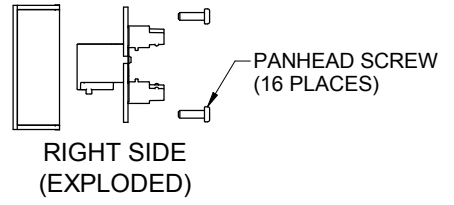
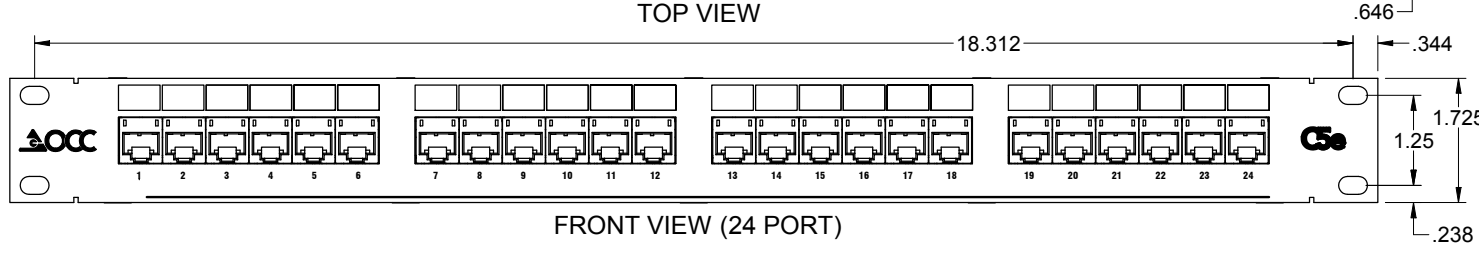


REVISION HISTORY				
REV/SHT	DESCRIPTION	DATE	ECN	CHECKED
A	ALL RELEASE NEW	5/14/13	NEW	JH



"OPTICAL CABLE CORPORATION (OCC) RESERVES THE RIGHT TO REVISE ANY PATCH PANEL SPECIFICATIONS."



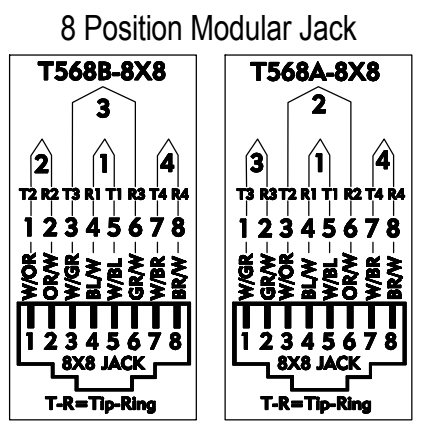
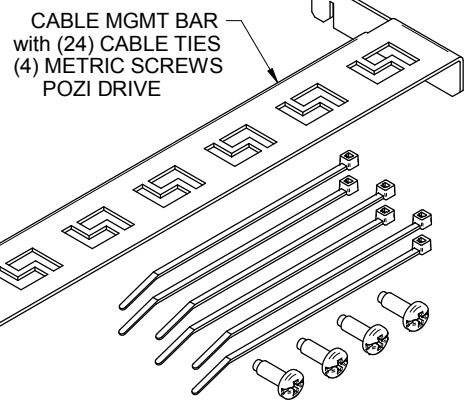
SPECIFICATIONS:

FEATURES/MATERIALS:

- CONSTRUCTED OF POWDER COATED COLD ROLLED STEEL. DIMENSIONS AND MOUNTING HOLES PER EIA-310-D
- ALL PLASTIC COMPONENTS: HIGH-IMPACT SELF-EXTINGUISHING RATED (UL 94 V-0)
- MODULAR JACK CONTACTS MEET REQUIREMENTS OF IEC 603-7 AFTER BEING OVERSTRESSED BY 6 POSITION MODULAR PLUG
- MAXIMUM INSULATION DIAMETER .045"
- UNIVERSAL JACK WIRING LABEL
- NON-SHIELDED RJ45 JACK
- CIRCUIT BOARD MATERIALS ARE FIBERGLASS/EPOXY FR-4 SOLDER MASKED ON BOTH SIDES.
- 110 STYLE IDC CONNECTORS: ARE 100 MICRO-IN TIN LEAD 60/40 PLATED OVER PHOSPHORUS BRONZE
- IDC CONTACTS MEET DURABILITY REQUIREMENTS OF ANSI/TIA 568-C.2 WITH 22-26 AWG SOLID CONDUCTORS
- MODULAR JACK CONTACT: (PER OCC AVAILABILITY) BERG GXT PLATING PROCESS
 - A. 50 MICRO-IN MINIMUM NICKEL OF BASE METAL
 - B. 27 MICRO-IN PALLADIUM-NICKEL ALLOY OVER NICKEL
 - C. 2.5 MICRO-IN MINIMUM GOLD FLASH OVER PALLADIUM-NICKEL
- AT&T PALLATECH PLATING
 - A. 100 MICRO-IN MINIMUM NICKEL OVER BASE METAL
 - B. 1 TO 3 MICRO-IN PALLADIUM STRIKE
 - C. 20 MICRO-IN MINIMUM PALLADIUM-NICKEL ALLOY OVER NICKEL
 - D. 3 MICRO-IN MINIMUM GOLD FLASH OVER PALLADIUM-NICKEL
- GOLD PLATING
 - A. 100 MICRO-IN MICKEL OVER BASE METAL
 - B. 50 MICRO-IN MINIMUM HARD GOLD OVER NICKEL

APPLICATIONS & SUPPORT LIST:

- VOICE
- 155/622 MBPS ATM
- 4/16 MBPS TOKEN RING
- 10 BASE-T ETHERNET
- 100 BASE-TX FAST ETHERNET
- 1000 BASE-T GIGABIT ETHERNET
- BROADBAND VIDEO
- 270 MBPS DIGITAL VIDEO
- ALL OTHER APPLICATIONS DEVELOPED FOR OPERATIONS OVER CATEGORY 5E OR CLASS D CABLING.
- PC BOARD TECHNOLOGY
- UL LISTED
- CSA CERTIFIED



UNCONTROLLED COPY

DCC2488/110A5E-R		PATCH PANEL, 24 PORT, CAT5e, 6PK MOD, OCC	
OCC PART NO.		DESCRIPTION	
<small>UNLESS OTHERWISE SPECIFIED THIS DRAWING AND THE DESIGN SHOWN ARE THE PROPERTY OF OPTICAL CABLE CORPORATION AND MAY NOT BE USED AS THE BASIS FOR MANUFACTURE OR SALE WITHOUT SPECIFIC WRITTEN PERMISSION OF OPTICAL CABLE CORPORATION.</small>			
<small>THIRD ANGLE PROJECTION</small> <small>CRITICAL DIMENSION CODE</small> <small>⊕ = FUNCTION</small> <small>⊗ = MATING</small> <small>⊙ = AUDIT</small>	<small>MATERIAL</small> CRS 16 GAGE (0.060 ± .003 THK) REF. SEE NOTES	<small>FINISH</small> PER OCC SPEC DWG# 100025 SEE NOTES	<small>DATE</small> 5/14/13 <small>DATE</small> 5/14/13 <small>DATE</small> 5/15/13
<small>CHECKED</small> S.PORACH <small>ENGINEER</small> J.YANIK <small>APPROVED</small> J.HOWE	<small>DATE</small> 5/14/13 <small>DATE</small> 5/14/13 <small>DATE</small> 5/15/13	<small>DATE</small> 5/14/13 <small>DATE</small> 5/14/13 <small>DATE</small> 5/15/13	<small>DATE</small> 5/14/13 <small>DATE</small> 5/14/13 <small>DATE</small> 5/15/13
<small>DRAWN</small> D.A.HOLBERT	<small>DATE</small> 5/14/13	<small>DATE</small> 5/14/13	<small>DATE</small> 5/14/13
<small>PREVIOUS DWG</small> NEXT DWG	<small>FILENAME</small> C111496A.dft	<small>SCALE</small> NONE	<small>SHEET</small> 1 OF 1
<small>DWG TITLE</small> CUSTOMER DRAWING, OCC, PATCH PANEL, 24 PORT, CAT5e		<small>DWG NO.</small> C111496	<small>REV</small> A