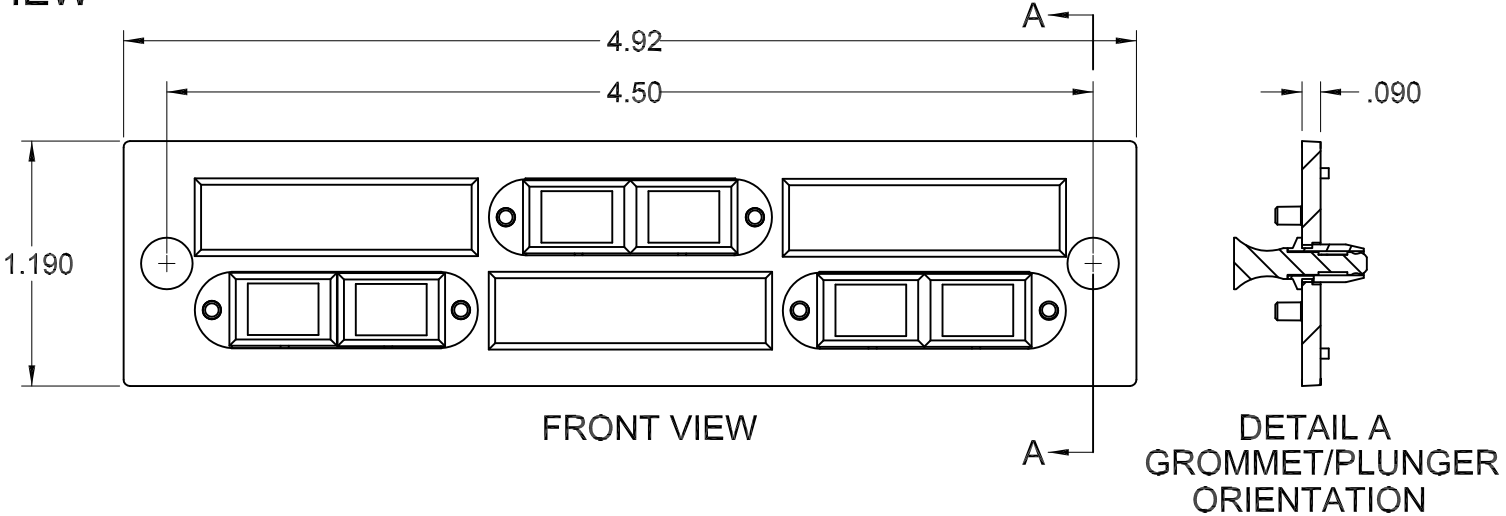
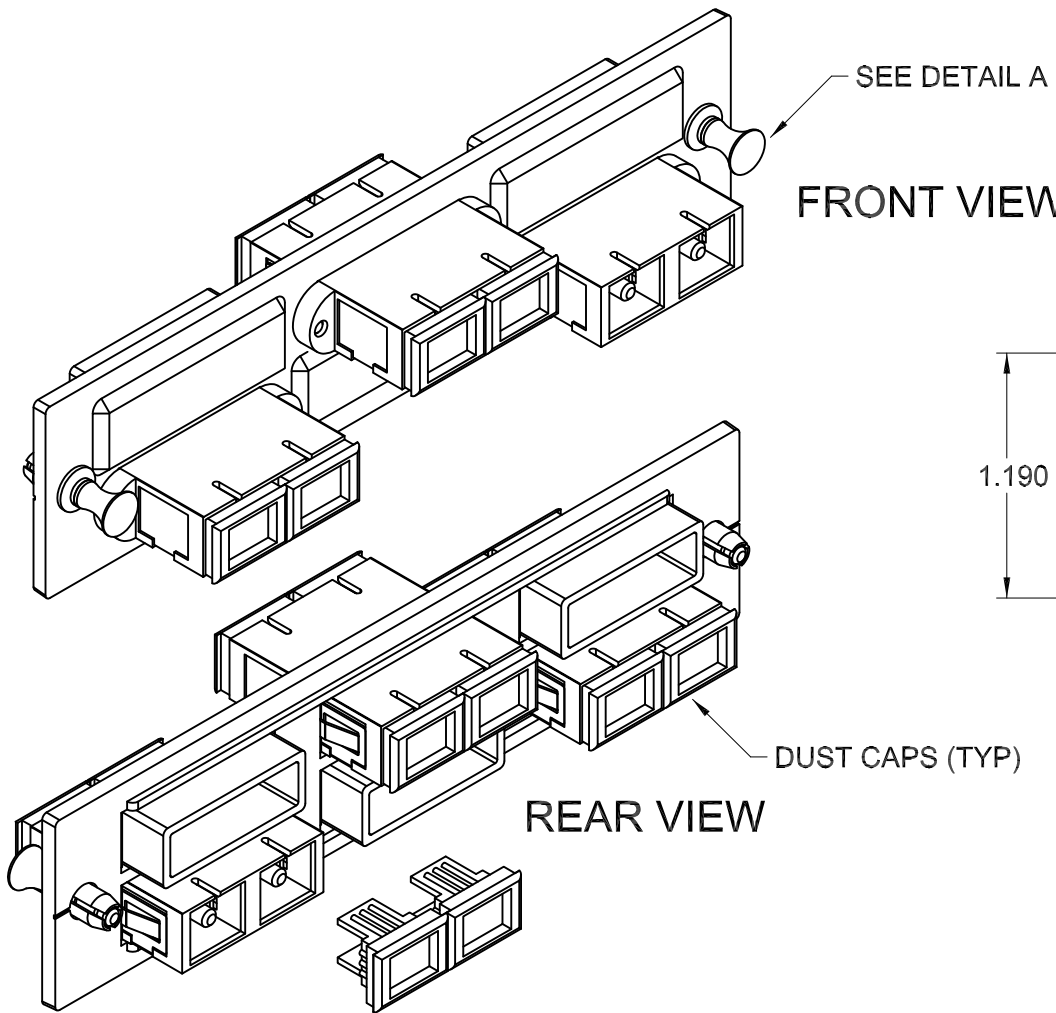


REVISION HISTORY					
REV	SHT	DESCRIPTION	DATE	ECN	CHECKED
A	ALL	RELEASE NEW	6/2/06	NEW	RBS
F	-	ADDED: OTHER 6 PORT DUAL SC APADTER OPTIONS	1/26/12	-	RBS



616DSC50G	ADAPTER PLATE ASSY, DUAL SC X 3, 50µm 10G, 6 PORT, OCC
616SMDSC	ADAPTER PLATE ASSY, DUAL SC X 3, SM, 6 PORT, OCC
616MMDSC	ADAPTER PLATE ASSY, DUAL SC X 3, MM, 6 PORT, OCC
616DSC	ADAPTER PLATE ASSY, DUAL SC X 3, SM/MM, 6 PORT, OCC
616SMDSCAPC	ADAPTER PLATE ASSY, DUAL SCAPC X 3, SM, 6 PORT, OCC

NOTES: UNLESS OTHERWISE SPECIFIED.

- EACH FIBER ADAPTER KIT IS SUPPLIED WITH COMPONENTS SHOWN.
- ADAPTER SPECIFICATIONS (MULTIMODE) 50µm, 50µm 10 GIG, 62.5µm
INSERTION LOSS (AVERAGE): PHOSPHOR BRONZE SLEEVE: ≤0.3 dB MAX.
SLEEVE/FERRULE WITHDRAWAL FORCE: 2.0N ~ 5.9N (200gf ~ 600gf)
- ADAPTER SPECIFICATIONS (SINGLEMODE)
INSERTION LOSS (AVERAGE): ZIRCONIA CERAMIC SLEEVE: ≤0.2 dB MAX.
SLEEVE/FERRULE WITHDRAWAL FORCE: 2.0N ~ 5.9N (200gf ~ 600gf)

UNCONTROLLED COPY

UNLESS OTHERWISE SPECIFIED DIMENSIONS ARE IN INCHES. TOLERANCES: FRACTIONS ±1/32" ANGLES ±1/2° 3 PLACE DECIMALS ±.005" 2 PLACE DECIMALS ±.01"	THIS DRAWING AND THE DESIGN SHOWN ARE THE PROPERTY OF OPTICAL CABLE CORPORATION AND MAY NOT BE USED AS THE BASIS FOR MANUFACTURE OR SALE WITHOUT SPECIFIC WRITTEN PERMISSION OF OPTICAL CABLE CORPORATION.
MATERIAL SEE BILL OF MATERIAL	DRAWN D.A.HOLBERT DATE 6/2/06
FINISH SEE NOTES	CHECKED R.B.SMITH DATE 6/6/06
	ENGINEER J.YANIK DATE 6/2/06
	APPROVED R.B.SMITH DATE 1/26/12
	PREVIOUS DWG
	NEXT DWG

5290 Concourse Drive
Roanoke, VA 24019
Phone: 800-622-7711
Fax: 540-265-0724
www.occfiber.com

DWG TITLE CUSTOMER DRAWING, ADAPTER PLATE ASSY, DUAL SCX3, 6 PORT, SM/MM, OCC		
SIZE B	DWG NO. C107709	REV F
SCALE: NONE	SHEET 1 OF 1	

