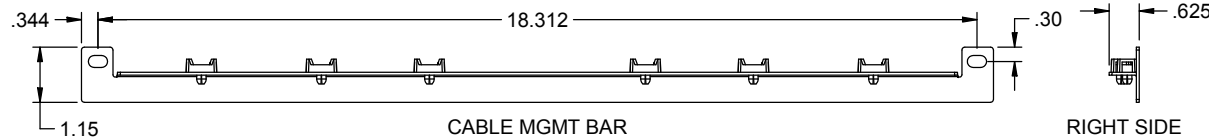
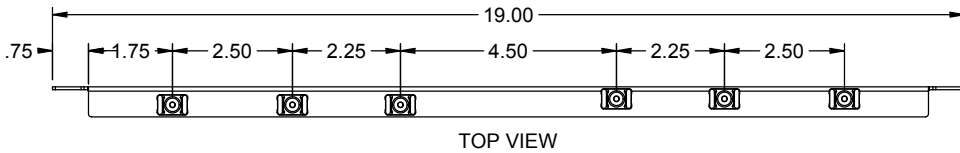
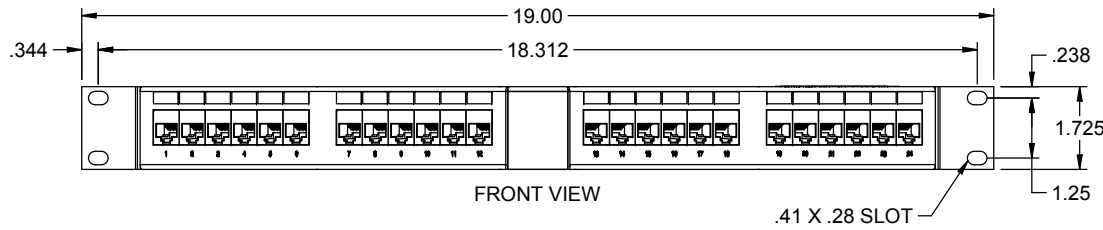
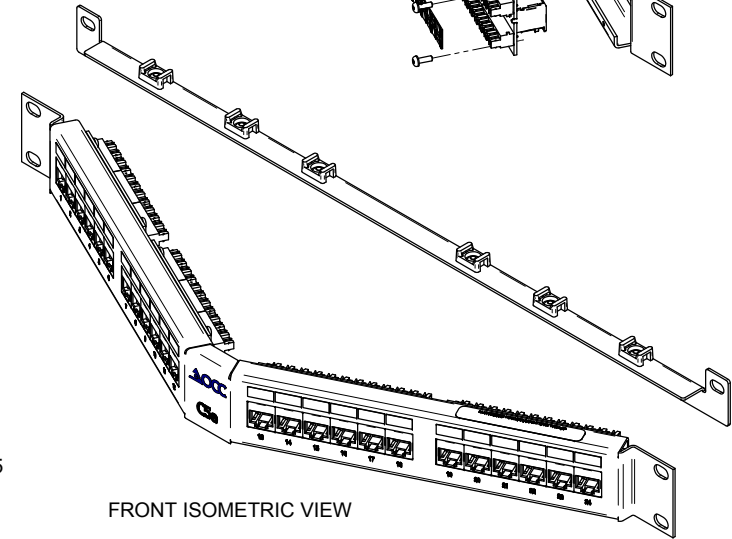
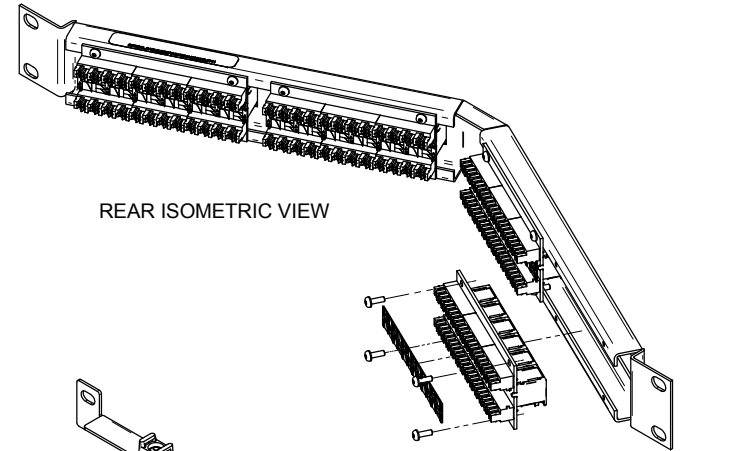
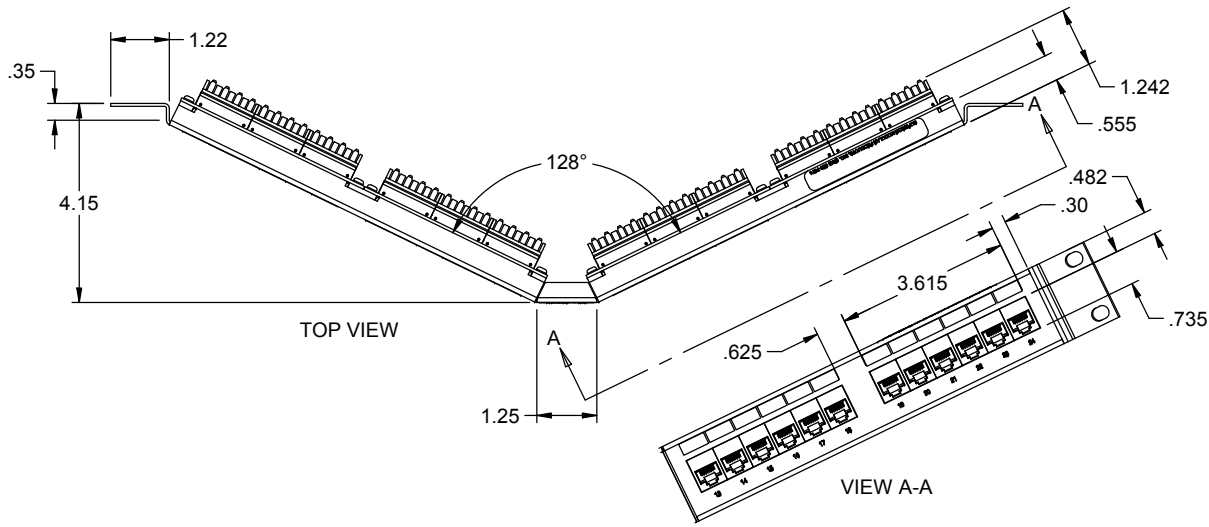


REVISION HISTORY				
REV/SHT	DESCRIPTION	DATE	ECN	CHECKED
A	ALL RELEASE NEW	5/17/13	NEW	JH

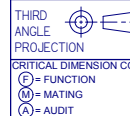
"OPTICAL CABLE CORPORATION (OCC) RESERVES THE RIGHT TO REVISE ANY PATCH PANEL SPECIFICATIONS."



COMPLETE ASSEMBLY

NOTES: UNLESS OTHERWISE SPECIFIED.
1. DIMENSIONS ARE IN ENGLISH MEASUREMENTS.

UNCONTROLLED COPY



ACC2488/110A5E-R		PATCH PANEL, 24 PORT, ANGLED, CAT 5e, 1U		
OCC PART NO.		DESCRIPTION		
<small>UNLESS OTHERWISE SPECIFIED, THIS DRAWING AND THE DESIGN SHOWN ARE THE PROPERTY OF OPTICAL CABLE CORPORATION AND MAY NOT BE USED AS THE BASIS FOR MANUFACTURE OR SALE WITHOUT SPECIFIC WRITTEN PERMISSION OF OPTICAL CABLE CORPORATION.</small> MATERIAL: CRS 14 GAGE (0.0747 THK) REF. SEE NOTES FINISH: PER OCC SPEC DWG# 100025 SEE NOTES		<small>THIS DRAWING AND THE DESIGN SHOWN ARE THE PROPERTY OF OPTICAL CABLE CORPORATION AND MAY NOT BE USED AS THE BASIS FOR MANUFACTURE OR SALE WITHOUT SPECIFIC WRITTEN PERMISSION OF OPTICAL CABLE CORPORATION.</small> DRAWN: D.A.HOLBERT DATE: 5/20/13 CHECKED: S.PORACH DATE: 5/21/13 ENGINEER: J.YANIK DATE: 5/20/13 APPROVED: J.HOWE DATE: 5/21/13 PREVIOUS DWG: NEXT DWG:		33 Superior Way Swannanoa, NC 28778 Phone: 828-298-2260 Fax: 828-298-2487 www.occfiber.com
DWG TITLE: ASSY, PATCHPANEL, ANGLED, 24 PORT, CAT 5E, 1U SIZE: C DWG NO.: C111490 SCALE: NONE SHEET: 1 OF 1		REV: A		