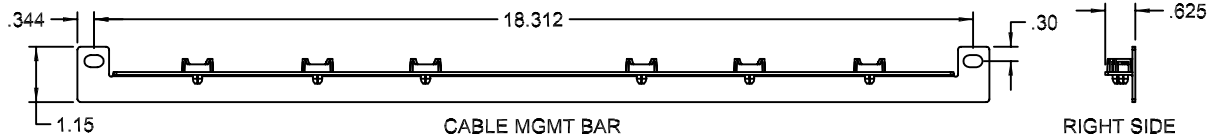
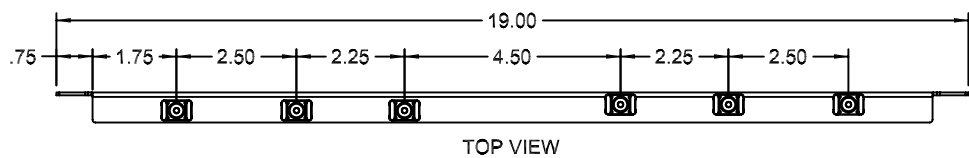
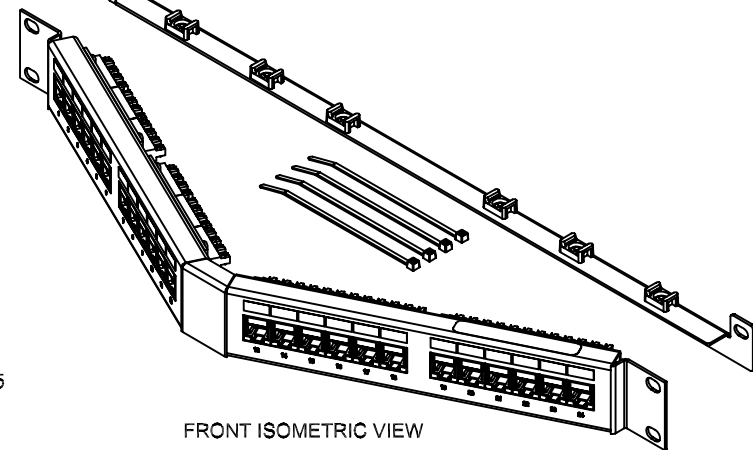
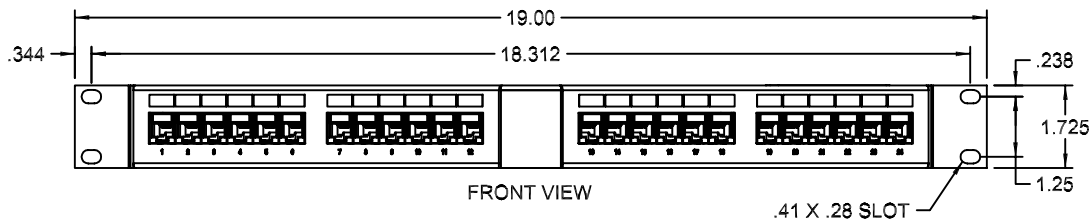
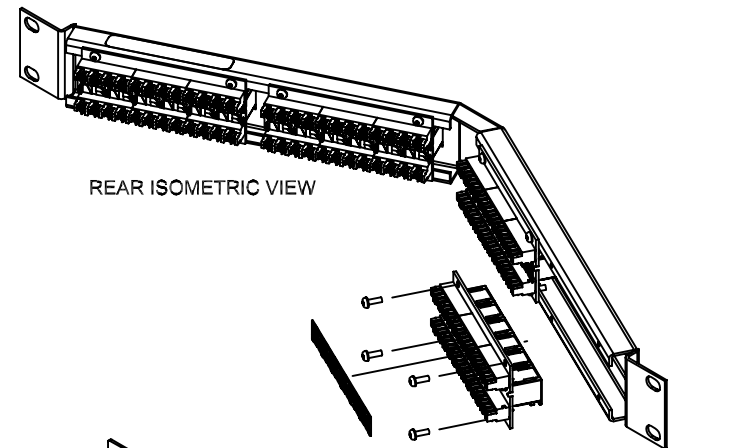
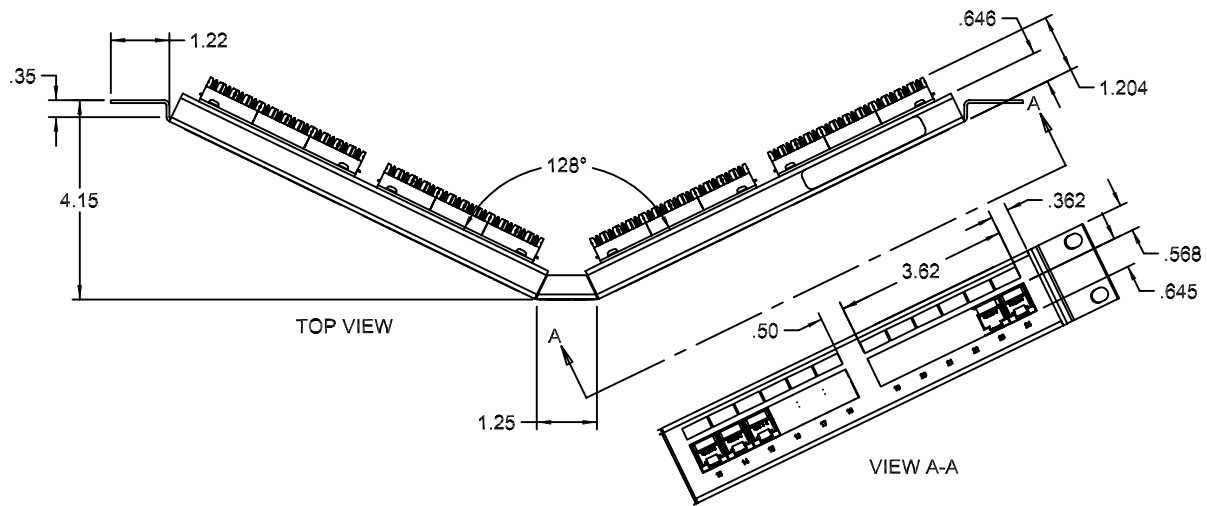
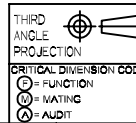


REVISION HISTORY				
REV	DESCRIPTION	DATE	EN	CHECKED
A	RELEASE NEW	9/17/07	NEW	JY



NOTES: UNLESS OTHERWISE SPECIFIED.
1. DIMENSIONS ARE IN ENGLISH MEASUREMENTS.

UNCONTROLLED COPY



ACC2488/110SIX	ASSY, PATCH PANEL, ANGLED, 24 PORT, CAT6, 1U		
OCC PART NUMBER	DESCRIPTION		
UNLESS OTHERWISE SPECIFIED DIMENSIONS ARE IN INCHES. TOLERANCES: FRACTIONS ±1/32 ANGLES ±12° 3 PLACE DECIMALS ±.005" 2 PLACE DECIMALS ±.01"		THIS DRAWING AND THE DESIGN SHOWN ARE THE PROPERTY OF OPTICAL CABLE CORPORATION AND MAY NOT BE USED AS THE BASIS FOR MANUFACTURE OR SALE WITHOUT SPECIFIC WRITTEN PERMISSION OF OPTICAL CABLE CORPORATION.	
MATERIAL: PANEL: CRS, 16 GA. (.0598" THK REFERENCE)		DRAWN: E.WETLI DATE: 9/17/07	
FINISH: POWDER COAT BLACK PER SMP SPEC# 10002501		CHECKED: J.YANIK DATE: 9/18/07	
		ENGINEER: J.MALTAIS DATE: 9/17/07	
		APPROVED: J.HOWE DATE: 9/18/07	
		PREVIOUS DWG	
		NEXT DWG	
		FILENAME: C108490A.DFT	SCALE: NONE
		SHEET: 1	OF 1
		DWG TITLE: PATCH PANEL ASSEMBLY, ANGLED, 24 PORT, CAT6, 1U	
		SIZE: C	REV: A
		DWG NO: C108490	
		5280 Concourse Drive Roanoke, VA 24019 Phone: 800-822-7711 Fax: 540-265-0724 www.occfiber.com	