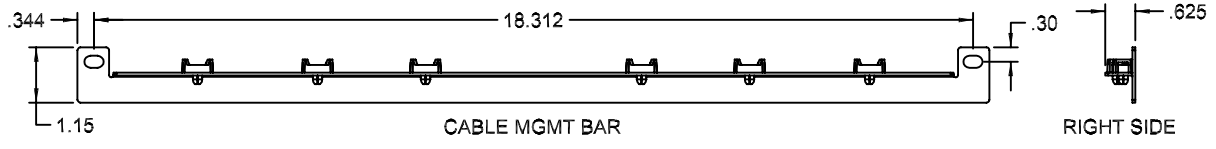
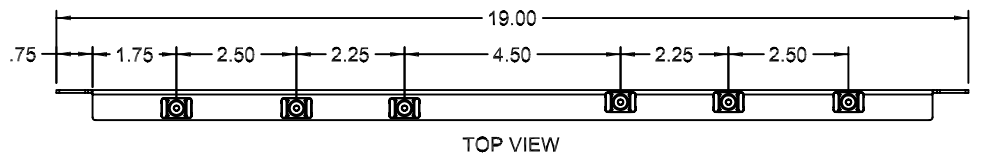
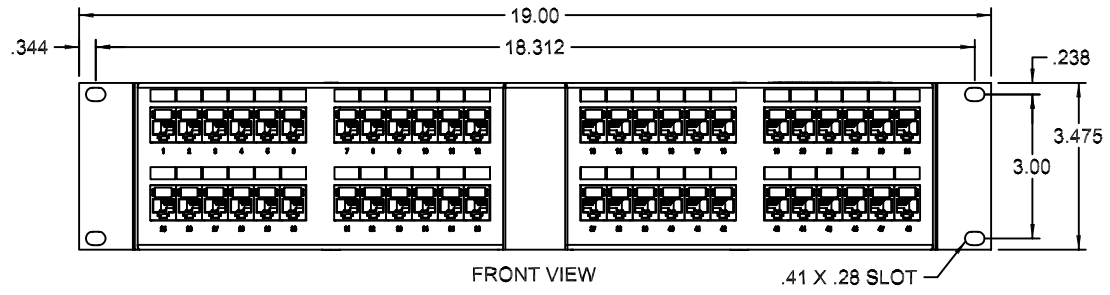
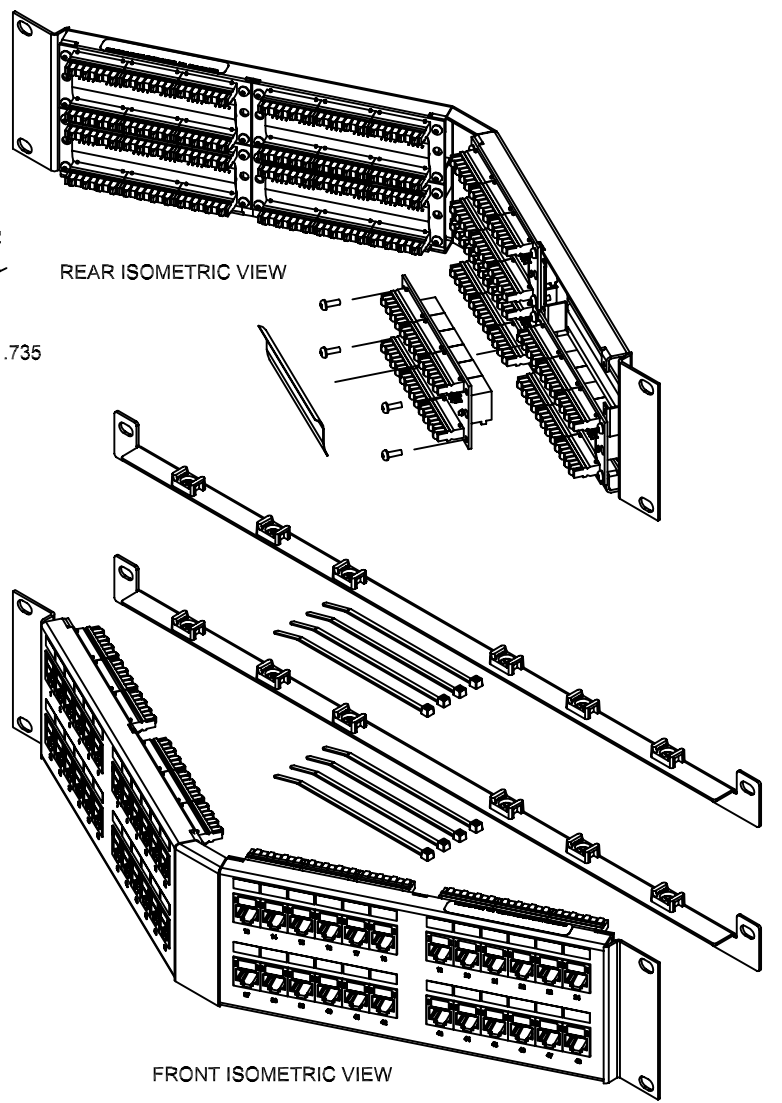
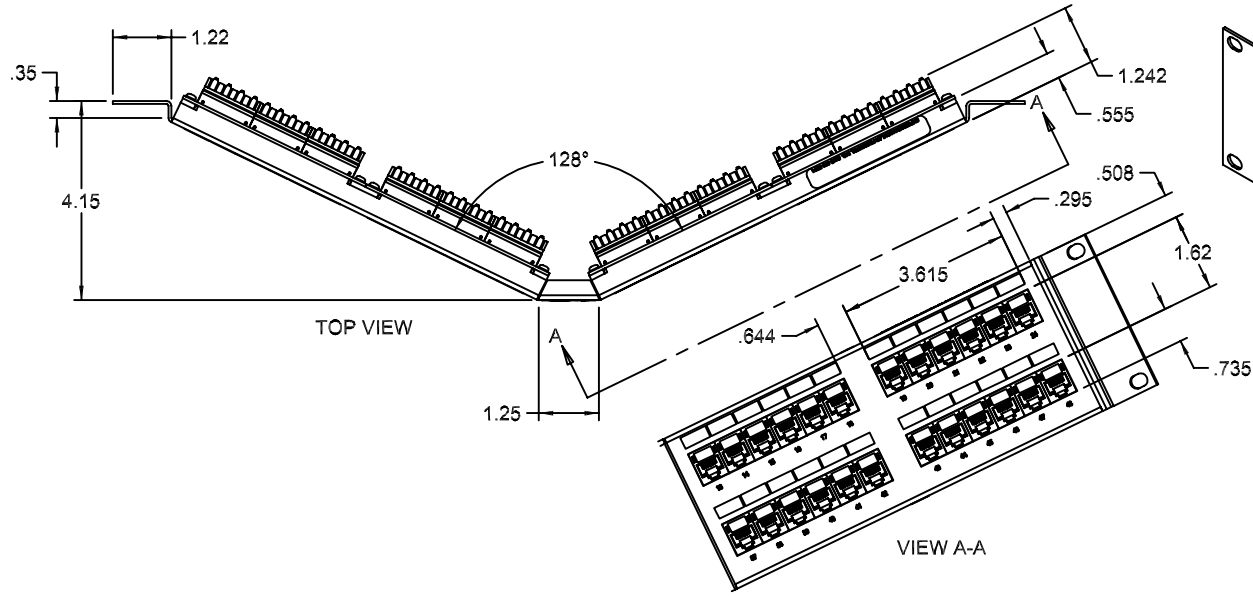
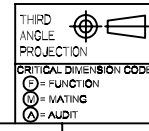


REVISION HISTORY				
REV	SHIT	DESCRIPTION	DATE	EN/CHKD BY
A	ALL	RELEASE NEW	9/11/07	NEW JY



NOTES: UNLESS OTHERWISE SPECIFIED.
 1. DIMENSIONS ARE IN ENGLISH MEASUREMENTS.

UNCONTROLLED COPY



ACC4888/110A5E		ASSY, PATCH PANEL, ANGLED, 48 PORT, A5E, 2U																							
OCC PART NUMBER		DESCRIPTION																							
UNLESS OTHERWISE SPECIFIED DIMENSIONS ARE IN INCHES. TOLERANCES: FRACTIONS ±1/32 ANGLES ±1/2° 3 PLACE DECIMALS ±.005" 2 PLACE DECIMALS ±.01"		THIS DRAWING AND THE DESIGN SHOWN ARE THE PROPERTY OF OPTICAL CABLE CORPORATION AND MAY NOT BE USED AS THE BASIS FOR MANUFACTURE OR SALE WITHOUT SPECIFIC WRITTEN PERMISSION OF OPTICAL CABLE CORPORATION.																							
MATERIAL: PANEL: CRS, 16 GA. (.0598" THK REFERENCE)	FINISH: POWDER COAT BLACK PER SMP SPEC# 10002501	<table border="1"> <tr> <td>DRAWN: E.WETLI</td> <td>DATE: 9/11/07</td> </tr> <tr> <td>CHECKED: J.YANIK</td> <td>DATE: 9/18/07</td> </tr> <tr> <td>ENGINEER: J.MALTAIS</td> <td>DATE: 9/11/07</td> </tr> <tr> <td>APPROVED: J.HOWE</td> <td>DATE: 9/18/07</td> </tr> <tr> <td>PREVIOUS DWG</td> <td></td> </tr> <tr> <td>NEXT DWG</td> <td></td> </tr> </table>	DRAWN: E.WETLI	DATE: 9/11/07	CHECKED: J.YANIK	DATE: 9/18/07	ENGINEER: J.MALTAIS	DATE: 9/11/07	APPROVED: J.HOWE	DATE: 9/18/07	PREVIOUS DWG		NEXT DWG		<table border="1"> <tr> <td colspan="2"> </td> </tr> <tr> <td colspan="2"> 5290 Concourse Drive Roanoke, VA 24019 Phone: 800-622-7711 Fax: 840-265-0724 www.oocfiber.com </td> </tr> <tr> <td colspan="2"> DWG TITLE: PATCH PANEL ASSEMBLY, ANGLED, 48 PORT, A5E, 2U </td> </tr> <tr> <td>SIZE: C</td> <td>DWG NO: C108489</td> </tr> <tr> <td>SCALE: NONE</td> <td>SHEET: 1 OF 1</td> </tr> </table>			5290 Concourse Drive Roanoke, VA 24019 Phone: 800-622-7711 Fax: 840-265-0724 www.oocfiber.com		DWG TITLE: PATCH PANEL ASSEMBLY, ANGLED, 48 PORT, A5E, 2U		SIZE: C	DWG NO: C108489	SCALE: NONE	SHEET: 1 OF 1
DRAWN: E.WETLI	DATE: 9/11/07																								
CHECKED: J.YANIK	DATE: 9/18/07																								
ENGINEER: J.MALTAIS	DATE: 9/11/07																								
APPROVED: J.HOWE	DATE: 9/18/07																								
PREVIOUS DWG																									
NEXT DWG																									
5290 Concourse Drive Roanoke, VA 24019 Phone: 800-622-7711 Fax: 840-265-0724 www.oocfiber.com																									
DWG TITLE: PATCH PANEL ASSEMBLY, ANGLED, 48 PORT, A5E, 2U																									
SIZE: C	DWG NO: C108489																								
SCALE: NONE	SHEET: 1 OF 1																								