

APPLICATIONS:

- ANALOG VOICE / VOIP / IPTV
- 10 / 100 / 1000 BASE-T ETHERNET
- IEEE 802.3 AF / AT PoE

SPECIFICATIONS:

- ANSI / TIA-568.2 CATEGORY 6
- ANSI / TIA-968-A
- IEC 60603-7

MATERIALS:

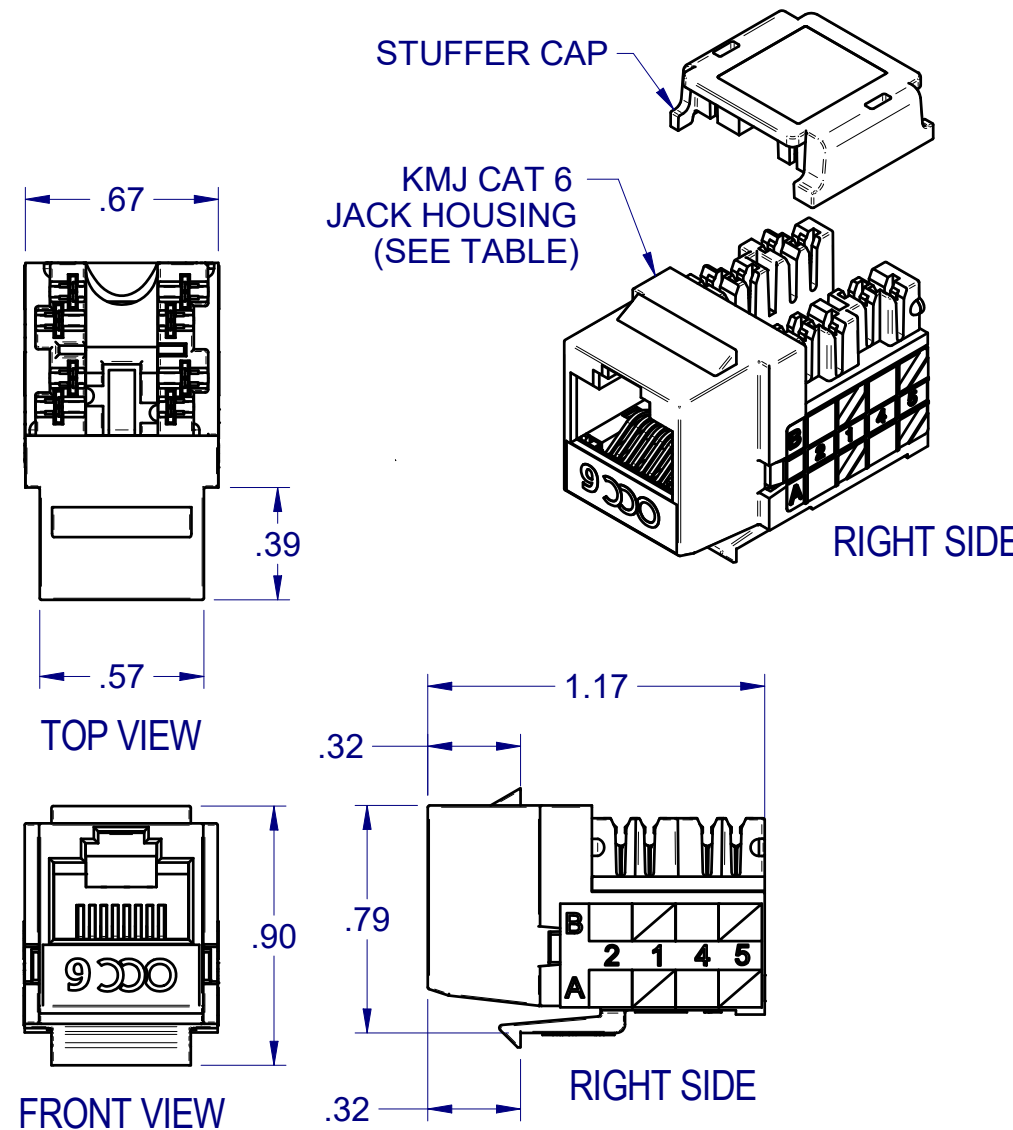
- JACK HOUSING: UL 94V-0 RATED THERMOPLASTIC MODULAR INTERFACE MATING CONTACT
- MATERIAL: BERYLLIUM COPPER
- PLATING: 50 MICRO-INCH (MIN) HARD GOLD OVER 100 MICRO-INCH (MIN) NICKEL OR APPROVED ALTERNATE PLATING PROCESS
- INSERTIONS / WITHDRAWALS: ≥750
- 110-STYLE IDC TERMINAL
- MATERIAL: PHOSPHOR BRONZE
- PLATING: 100 MICRO-INCH (MIN) MATTE TIN OVER 50 MICRO-INCH (MIN) NICKEL
- WIRE GAUGE RANGE: 22-26 AWG
- INSERTIONS / WITHDRAWALS: ≥20

CODE & COMPLIANCE:

- UL LISTED
- CSA CERTIFIED
- E.U. RoHS DIRECTIVE 2002/95/EC COMPLIANT

"OPTICAL CABLE CORPORATION (OCC) RESERVES THE RIGHT TO REVISE ANY AND ALL DESIGN SPECIFICATIONS."

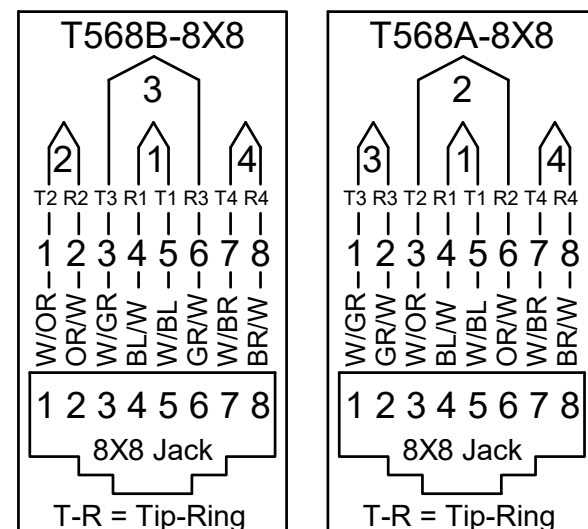
UNCONTROLLED COPY

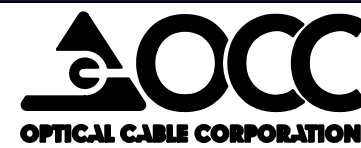


COLOR TABLE

KMJ HOUSING	"XX"
ELEC. IVORY	00
OFFICE WHITE	01
BLACK	02
RED	03
GREEN	04
BLUE	05
GRAY	06
ORANGE	08
YELLOW	09
PURPLE	10
BROWN	11
BRT. WHITE	12
LT. BLUE	18

8 POSITION MODULAR JACK



UNLESS OTHERWISE SPECIFIED DIMENSIONS ARE IN INCHES. TOLERANCES: FRACTIONS ±1/32" ANGLES ±1/2° 3 PLACE DECIMALS ±.005" 2 PLACE DECIMALS ±.01"	THIS DRAWING AND THE DESIGN SHOWN ARE THE PROPERTY OF OPTICAL CABLE CORPORATION AND MAY NOT BE USED AS THE BASIS FOR MANUFACTURE OR SALE WITHOUT SPECIFIC WRITTEN PERMISSION OF OPTICAL CABLE CORPORATION.		 33 Superior Way Swannanoa, NC 28778 Phone: 828-298-2260 Fax: 828-298-2487 www.occfiber.com
	DRAWN D.A.HOLBERT DATE 6/18/02	CHECKED J.YANIK DATE 9/5/02	
THIRD ANGLE PROJECTION	APPROVED J.CALLOWAY DATE 8/20/20	PREVIOUS DWG	NEXT DWG
MATERIAL SEE NOTES	FINISH SEE NOTES	DWG TITLE CUSTOMER DRAWING, JACK ASSY, KMJ, CAT 6, OCC	SIZE B DWG NO. C104903 REV J
CRITICAL DIMENSION CODE (F) = FUNCTION (M) = MATING (A) = AUDIT	FILENAME C104903J.dft	SCALE: 1.5:1	SHEET 1 OF 1

KMJA6"XX"	JACK, KMJ, CAT6, "COLOR", OCC
OCC PART NO.	DESCRIPTION

PROPRIETARY AND CONFIDENTIAL