

APPLICATIONS:

- ANALOG VOICE / VOIP / IPTV
- 10 / 100 / 1000 / 10G BASE-T ETHERNET
- IEEE 802.3 AF / AT PoE

SPECIFICATIONS:

- ANSI / TIA-568-C.2 CATEGORY 6A
- ANSI / TIA-968-A
- IEC 60603-7

MATERIALS:

- JACK HOUSING: UL 94V-0 RATED THERMOPLASTIC MODULAR INTERFACE MATING CONTACT
- MATERIAL: BERYLLIUM COPPER
- PLATING: 50 MICRO-INCH (MIN) HARD GOLD OVER 100 MICRO-INCH (MIN) NICKEL OR APPROVED ALTERNATE PLATING PROCESS
- INSERTIONS / WITHDRAWALS: ≥750
- 110-STYLE IDC TERMINAL
- MATERIAL: PHOSPHOR BRONZE
- PLATING: 100 MICRO-INCH (MIN) MATTE TIN OVER 50 MICRO-INCH (MIN) NICKEL
- WIRE GAUGE RANGE: 22-26 AWG
- INSERTIONS / WITHDRAWALS: ≥200

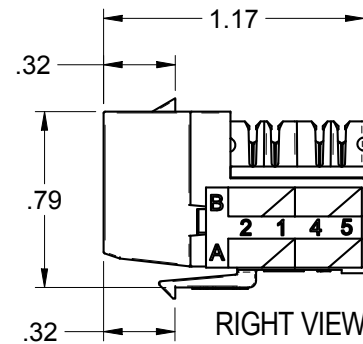
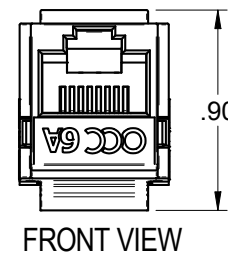
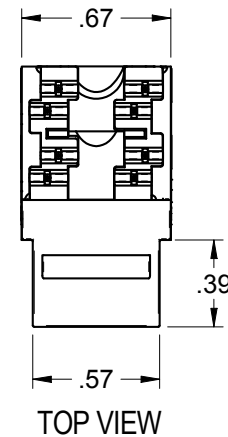
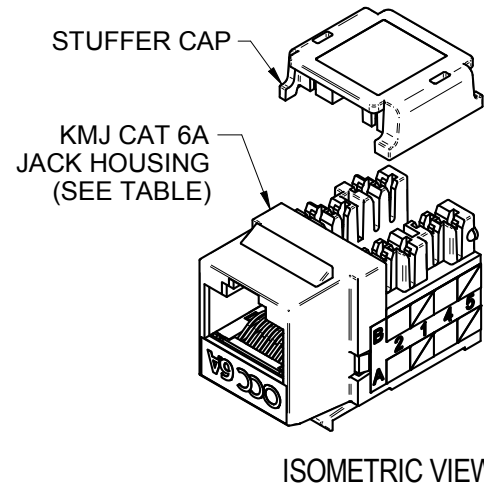
CODE & COMPLIANCE:

- UL LISTED
- CSA CERTIFIED
- E.U. RoHS DIRECTIVE 2002/95/EC COMPLIANT

COLOR TABLE

KMJ HOUSING "XX"	
ELEC. IVORY	00
OFFICE WHITE	01
BLACK	02
RED	03
GREEN	04
BLUE	05
GRAY	06
ORANGE	08
YELLOW	09
PURPLE	10
BROWN	11
BRT. WHITE	12

UNCONTROLLED COPY



ISOMETRIC VIEW

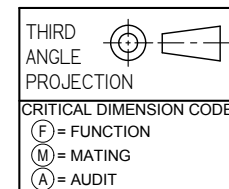
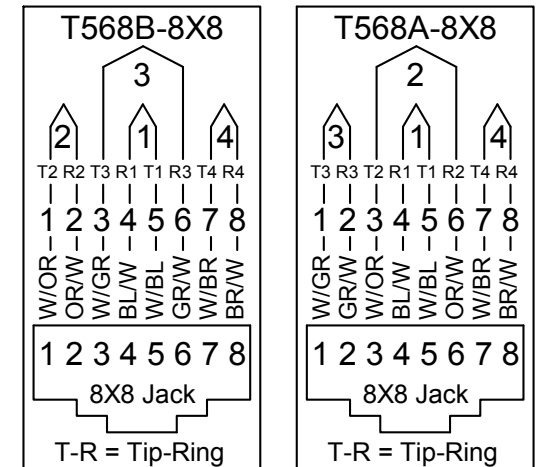
TOP VIEW

FRONT VIEW

RIGHT VIEW

"OPTICAL CABLE CORPORATION (OCC) RESERVES THE RIGHT TO REVISE ANY AND ALL DESIGN SPECIFICATIONS."

8 POSITION MODULAR JACK



THIRD ANGLE PROJECTION
 (F) = FUNCTION
 (M) = MATING
 (A) = AUDIT

UNLESS OTHERWISE SPECIFIED DIMENSIONS ARE IN INCHES. TOLERANCES: FRACTIONS ±1/32" ANGLES ±1/2° 3 PLACE DECIMALS ±.005" 2 PLACE DECIMALS ±.01"

MATERIAL SEE NOTES

FINISH SEE NOTES

THIS DRAWING AND THE DESIGN SHOWN ARE THE PROPERTY OF OPTICAL CABLE CORPORATION AND MAY NOT BE USED AS THE BASIS FOR MANUFACTURE OR SALE WITHOUT SPECIFIC WRITTEN PERMISSION OF OPTICAL CABLE CORPORATION.

DRAWN D.A.HOLBERT DATE 9/19/06

CHECKED J.YANIK DATE 9/22/06

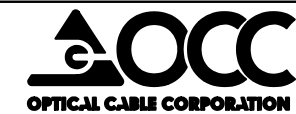
ENGINEER S.SEO DATE 9/19/06

APPROVED J.CALLOWAY DATE 5/13/14

PREVIOUS DWG

NEXT DWG

K6A"XX"		JACK, KMJ, UTP, CAT6A, "COLOR", OCC	
OCC PART NO.		DESCRIPTION	
DRAWN D.A.HOLBERT		DATE 9/19/06	
CHECKED J.YANIK		DATE 9/22/06	
ENGINEER S.SEO		DATE 9/19/06	
APPROVED J.CALLOWAY		DATE 5/13/14	
PREVIOUS DWG			
NEXT DWG			
FILENAME C107939C.DFT		SCALE: NONE	SHEET 1 OF 1
DWG TITLE		CUSTOMER DRAWING, JACK ASSY, KMJ, CAT 6A, OCC	
SIZE B	DWG NO. C107939	REV C	



33 Superior Way
 Swannanoa, NC 28778
 Phone: 828-298-2260
 Fax: 828-298-2487
 www.occfiber.com