

APPLICATIONS:

- ANALOG VOICE / VOIP / IPTV
- 10 / 100 / 1000 BASE-T ETHERNET
- IEEE 802.3 AF / AT PoE

SPECIFICATIONS:

- ANSI / TIA-568-C.2 CATEGORY 5e LINK AND CHANNEL
- ANSI / TIA-968-A
- IEC 60603-7

MATERIALS:

- JACK HOUSING: UL 94V-0 RATED THERMOPLASTIC MODULAR INTERFACE MATING CONTACT
- MATERIAL: BERYLLIUM COPPER
- PLATING: 50 MICRO-INCH (MIN) HARD GOLD OVER 100 MICRO-INCH (MIN) NICKEL OR APPROVED ALTERNATE PLATING PROCESS
- INSERTIONS / WITHDRAWALS: ≥750
- 110-STYLE IDC TERMINAL
- MATERIAL: PHOSPHOR BRONZE
- PLATING: 100 MICRO-INCH (MIN) MATTE TIN OVER 50 MICRO-INCH (MIN) NICKEL
- WIRE GAUGE RANGE: 22-26 AWG
- INSERTIONS / WITHDRAWALS: ≥200

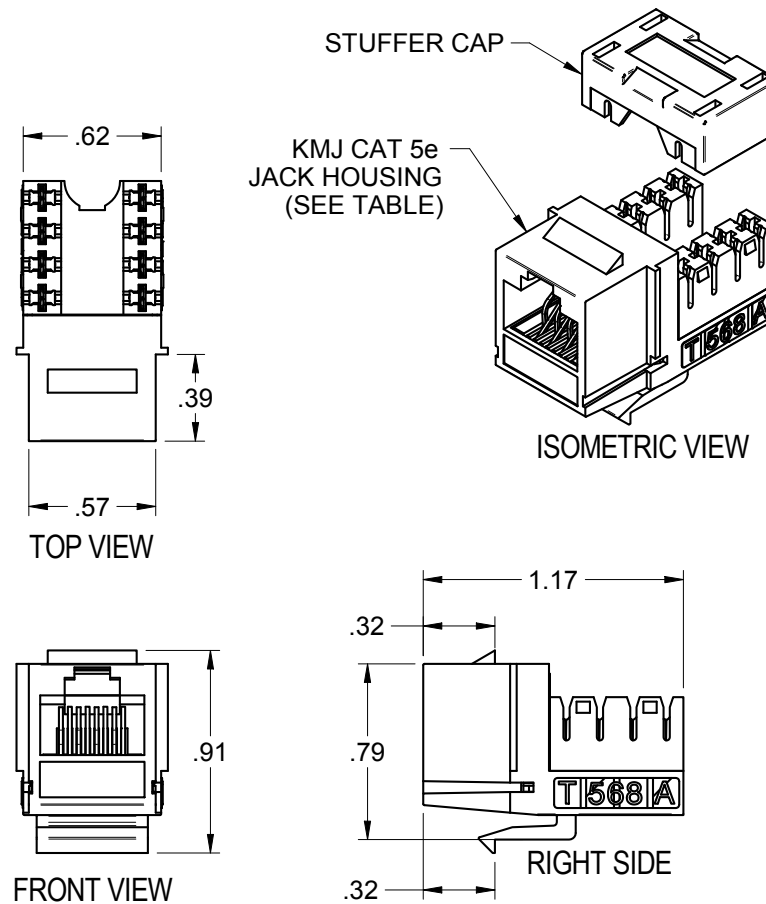
CODE & COMPLIANCE:

- UL LISTED
- CSA CERTIFIED
- E.U. RoHS DIRECTIVE 2002/95/EC COMPLIANT

COLOR TABLE

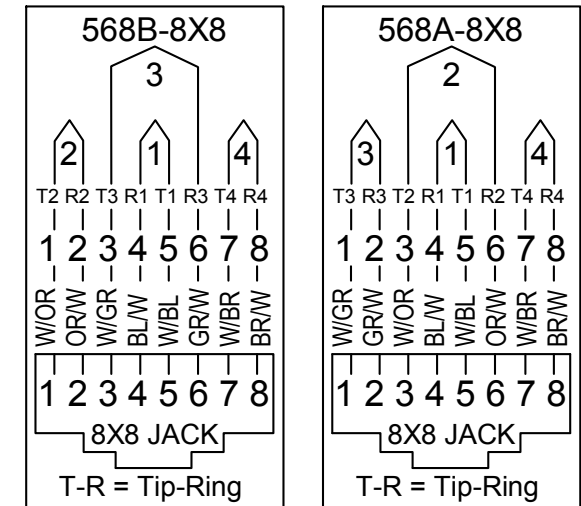
KMJ HOUSING "XX"	"XX"
ELEC. IVORY	00
OFFICE WHITE	01
BLACK	02
RED	03
GREEN	04
BLUE	05
GRAY	06
ORANGE	08
YELLOW	09
PURPLE	10
BROWN	11
BRT. WHITE	12

UNCONTROLLED COPY



"OPTICAL CABLE CORPORATION (OCC) RESERVES THE RIGHT TO REVISE ANY AND ALL DESIGN SPECIFICATIONS."

8 Position Modular Jack



KMJVL8A/B"XX"		JACK, KMJ, LEADFRAME, UNIV, CAT5E, "COLOR", OCC	
OCC PART NO.		DESCRIPTION	
UNLESS OTHERWISE SPECIFIED DIMENSIONS ARE IN INCHES. TOLERANCES: FRACTIONS ±1/32" ANGLES ±1/2° 3 PLACE DECIMALS ±.005" 2 PLACE DECIMALS ±.01"		THIS DRAWING AND THE DESIGN SHOWN ARE THE PROPERTY OF OPTICAL CABLE CORPORATION AND MAY NOT BE USED AS THE BASIS FOR MANUFACTURE OR SALE WITHOUT SPECIFIC WRITTEN PERMISSION OF OPTICAL CABLE CORPORATION.	
DRAWN D.A.HOLBERT		DATE 7/30/01	
CHECKED R.B.SMITH		DATE 11/15/01	
ENGINEER J.YANIK		DATE 7/30/01	
APPROVED J.CALLOWAY		DATE 11/18/14	
PREVIOUS DWG			
NEXT DWG		FILENAME C102120N.DFT	
THIRD ANGLE PROJECTION		DWG TITLE CUSTOMER DRAWING, KMJ, LEADFRAME, CAT 5e, OCC	
CRITICAL DIMENSION CODE (F)= FUNCTION (M)= MATING (A)= AUDIT		SIZE B DWG NO. C102120 REV N	
		SCALE: NONE SHEET 1 OF 1	



33 Superior Way
Swannanoa, NC 28778
Phone: 828-298-2260
Fax: 828-298-2487
www.occfiber.com