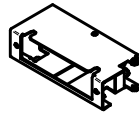



Installation Instruction Sheet
Wall Mount Cabinets: WTC4APB, WTC6APB,
WTC8HDAPB, WTC12HDAPB, WT16HDAPB

DESCRIPTION	OCC PART_NO.
WTC 4APB Enclosure	WTC4APB
WTC 4APB with lockable inner door	WTC6APBD
WTC 6APB Enclosure	WTC6APB
WTC 6APB with lockable inner door	WTC6APBD
WTC 8HDAPB Enclosure	WTC8HDAPB
WTC 8HDAPB with lockable inner door	WTC8HDAPBD
WTC 12APB Enclosure	WTC12APB
WTC 12APB with lockable inner door	WTC12APBD
WTC 16HDAPB Enclosure	WTC16HDAPB
WTC 16HDAPB with lockable inner door	WTC16HDAPBD
Inner Door, WTC 4/6/8HD	WTC6/8LD
Inner Door, WTC 12/16HD	WTC12/16LD


ACCESSORIES



SPLITTER STACKABLE MOUNTING BRACKET PONS CB1U (OPTIONAL)



STRAIN RELIEF BRACKET PLASTIC - TCSR B2
 (2) INCLUDED (ADDITIONAL BRACKETS CAN BE ORDERED SEPARATELY)



STRAIN RELIEF BRACKET METAL - TCSR B (OPTIONAL)

